



Centerless Grinding and Micro-Finishing Solutions

344 Bloor St. W. Suite 607, Toronto, ON Canada M5S 3A7

www.lprglobal.com / www.uskoreahotlink.com

TEL: +1 416 – 423 – 5590

E-Mail: info@lprglobal.com

LPR GLOBAL

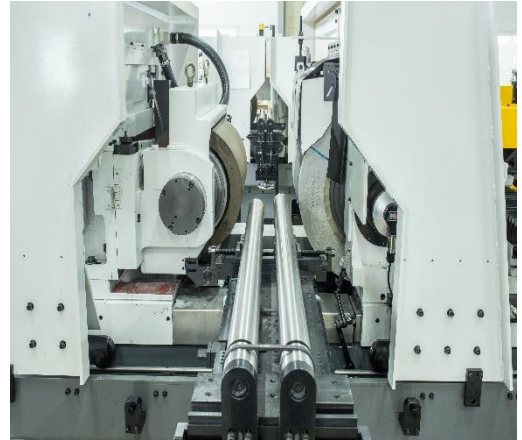
Parts Manufacturing Machines

- Grinding Machine

Centerless Grinding Machine

◆ Centerless Grinder (SGC-500C)

- ✓ Grinding Type: Centerless through-feed or in-feed
- ✓ Workpiece Mounting: Workrest support
- ✓ Machining Dia. Range: 10 – 150
- ✓ Machining Length Range: Max. 500mm
- ✓ Loading: Through-feed or In-feed
- ✓ Dress Type: Traverse type point diamond dresser
- ✓ G.W. (mm): 610 (D) x 510 (W) x 304.8 (B)
- ✓ R.W. (mm): 380 (D) x 510 (W) x 254 (B)
- ✓ G.W. Table: AC servo 3.5kW
- ✓ R.W. Table: AC servo 0.75kW
- ✓ G.W. Drive: 45kW(37kW) 4P AC motor
- ✓ R.W. Drive: 3.7 (5.5)kW 4P (gear reducer type)
- ✓ Hydraulic Tank: 40 liters
- ✓ Machine Dimensions (mm): 3500*2600*1800H
- ✓ Machine weight: 11.0tons



Equipment Image



Parts Manufacturing Machines

- Grinding Machine

Centerless Grinding Machine

◆ Centerless Grinder (SGC-500K)

- ✓ Grinding Type: Centerless through-feed or in-feed
- ✓ Workpiece Mounting: Workrest support
- ✓ Machining Dia. Range: 10 – 150
- ✓ Machining Length Range: Max. 500mm
- ✓ Loading: Through-feed or In-feed
- ✓ Dress Type: Traverse type point diamond dresser
- ✓ G.W. (mm): 610 (D) x 510 (W) x 304.8 (B)
- ✓ R.W. (mm): 380 (D) x 510 (W) x 254 (B)
- ✓ G.W. Table: AC servo 2.0kW
- ✓ R.W. Table: AC servo 0.75kW
- ✓ G.W. Drive: 45kW(37kW) 4P AC motor
- ✓ R.W. Drive: 3.7 (5.5)kW 4P (gear reducer type)
- ✓ Machine Dimensions (mm): 3500*2600*1800H
- ✓ Machine weight: 11.0tons

Equipment Image



Parts Manufacturing Machines

- Grinding Machine

Centerless Grinding Machine

◆ Centerless Grinder (SGC-200)

- ✓ Grinding Type
: Centerless through-feed or in-feed
- ✓ Workpiece Mounting
: Workrest support
- ✓ Machining Dia. Range: 2 – 120
- ✓ Machining Length Range
: Max. 200mm
- ✓ Loading: Through-feed or In-feed
- ✓ Dress Type
: Traverse type point diamond dresser
- ✓ G.W. (mm)
: 510 (D) x 255 (W) x 304.8 (B)
- ✓ R.W. (mm)
: 305 (D) x 255 (W) x 177.8 (B)
- ✓ R.W. Table: AC servo 3.0kW
- ✓ G.W. Drive: 1.5kW 4P AC motor
- ✓ R.W. Drive
: 1.5kW 4P (gear reducer type)

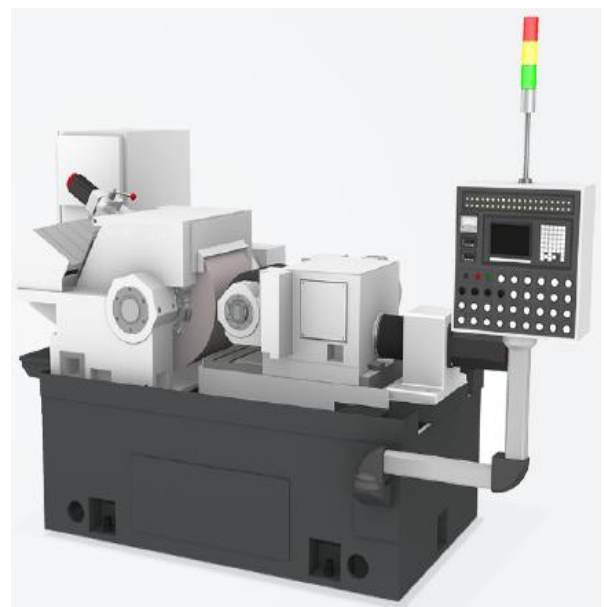
Equipment Image



◆ Centerless Grinder (SGC-300)

- ✓ Grinding Type
: Centerless through-feed or in-feed
- ✓ Workpiece Mounting
: Workrest support
- ✓ Machining Dia. Range: 4 – 120
- ✓ Machining Length Range
: Max. 300mm
- ✓ Loading: Through-feed or In-feed
- ✓ Dress Type
: Traverse type point diamond dresser
- ✓ G.W. (mm)
: 610 (D) x 305 (W) x 304.8 (B)
- ✓ R.W. (mm)
: 330 (D) x 305 (W) x 203.2 (B)
- ✓ R.W. Table: AC servo 3.7kW
- ✓ G.W. Drive: 22kW 4P AC motor
- ✓ R.W. Drive
: 2.2kW 4P (gear reducer type)

Equipment Image



Parts Manufacturing Machines

- Grinding Machine

Internal Grinding Machine

◆ Internal Grinder (SGI-200 W)

- ✓ Grinding Type
: NC Oscillation or Plunge
- ✓ Workpiece Mounting
: Diaphragm or hydraulic chuck
- ✓ OD Range: 90 – 220
- ✓ Machining Width Range: 20 – 80
- ✓ Machining Bore Range: 60 – 200
- ✓ Loading: Double arm by servo
- ✓ Dress Type: Fixed rotary by hydraulic
- ✓ Spindle Rotating Angle: $\pm 1^\circ$ / -2 to +30°
- ✓ Spindle Height: About FL 1200
- ✓ Work Spindle RPM
: 4000 RPM Max
- ✓ Cross Slide: AC Servo 3.5kW
- ✓ G.W. Table: AC Servo 3.5kW
- ✓ Main Drive: AC Servo 7.0kW
- ✓ Hydraulic: 1.5kW 4P AC motor
- ✓ G.W.: High frequency spindle

Equipment Image



◆ Internal Grinder (SGI-200)

- ✓ Grinding Type
: NC Oscillation or Plunge
- ✓ Workpiece Mounting
: Two-shoe & Magnet chuck (2rolls&1shoe)
- ✓ Machining Dia. Range: 90 – 220
- ✓ Machining Width Range: 20 – 80
- ✓ Machining Bore Range: 60 – 200
- ✓ Loading: Flow type or Cassette type
- ✓ Dress Type: Up-down type with point (rotary) diamond dresser
- ✓ Spindle Rotating Angle: $\pm 1^\circ$ / -2 to +30°
- ✓ Spindle Height: About FL 1050
- ✓ Work Spindle RPM
: 220 – 800rpm / 500 – 2000rpm
- ✓ Cross Slide: AC Servo 1.5kW
- ✓ G.W. Table: AC Servo 3.0kW
- ✓ Work Spindle: 1.5kW 4P motor
- ✓ G.W. (Belt Drive): 7.5kW 2P AC motor

Equipment Image



Parts Manufacturing Machines

- Grinding Machine

Internal Grinding Machine

◆ Internal Grinder (SGI-120)

- ✓ Grinding Type
: NC Oscillation or Plunge
- ✓ Workpiece Mounting
: Two-shoe & Magnet chuck (2rolls&1shoe)
- ✓ Machining Dia. Range: 20 – 120
- ✓ Machining Width Range: 5 – 40
- ✓ Machining Bore Range: 12 – 100
- ✓ Loading: Flow type or Cassette type
- ✓ Dress Type: Up-down type with point (rotary) diamond dresser
- ✓ Spindle Rotating Angle: $\pm 1^\circ$ / -2 to +30°
- ✓ Spindle Height: About FL 1050
- ✓ Work Spindle RPM
: 220 – 800rpm / 500 – 2000rpm
- ✓ Cross Spindle Stroke: 125
- ✓ Cross Slide: AC Servo 1.5kW
- ✓ G.W. Table: AC Servo 1.5kW
- ✓ Work Spindle: 1.5kW 4P motor
- ✓ G.W. (Belt Drive): 7.5kW 2P AC motor

Equipment Image



Parts Manufacturing Machines

- Grinding Machine

External Grinding Machine

◆ External Grinder (SGE-400)

- ✓ Grinding Type: NC Controlled Plunge
- ✓ Workpiece Mounting
: Two-shoe & Magnet chuck
- ✓ Machining Dia. Range: 10 – 65
- ✓ Machining Width Range: 6 – 50
- ✓ Loading: Single or double arm type
- ✓ Dresser: Forming dresser spindle
- ✓ Spindle Angle Range: -6 to +35°
- ✓ Grinding Spindle
: Hydrostatic or Rolling bearing type
- ✓ Spindle Height: About FL 1150
- ✓ Work Spindle RPM: 150 – 1800rpm
- ✓ Grinding Wheel Spindle: Max. 2500rpm
- ✓ G.W.: 510(450)(D) x 50(W) x 304.8(B)mm
- ✓ G.W. Table: AC Servo 1.5kW
- ✓ Dress Table: AC Servo 1.5kW
- ✓ Spindle Drive: 1.5kW 4P AC motor
- ✓ G.W. (Belt Drive): 7.5kW 4P AC motor

Equipment Image



◆ External Grinder (SGE-500)

- ✓ Grinding Type: NC Controlled Plunge
- ✓ Workpiece Mounting
: Two-shoe & Magnet chuck
- ✓ Machining Dia. Range: 20 – 100
- ✓ Machining Width Range: 10 – 50
- ✓ Loading: Single or double arm type
- ✓ Dresser: Forming dresser spindle
- ✓ Spindle Angle Range: -6 to +35°
- ✓ Grinding Spindle
: Hydrostatic or Rolling bearing type
- ✓ Spindle Height: About FL 1150
- ✓ Work Spindle RPM: 150 – 1800rpm
- ✓ Grinding Wheel Spindle: Max. 2200rpm
- ✓ G.W.: 510(D) x 50(W) x 304.8(B)mm
- ✓ G.W. Table: AC Servo 3.0kW
- ✓ Dress Table: AC Servo 1.5kW
- ✓ Spindle Drive: 1.5kW 4P AC motor
- ✓ G.W. (Belt Drive): 11kW 4P AC motor
- ✓ Roll Dresser: 0.75kW 2P AC motor

Equipment Image



Parts Manufacturing Machines

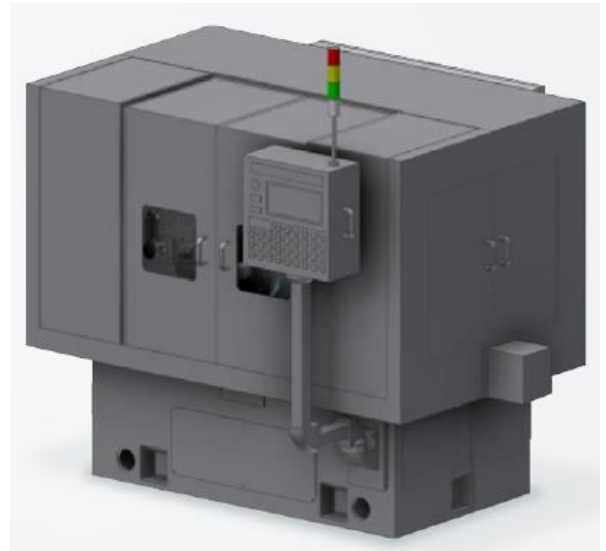
- Grinding Machine

Grinding Machine

◆ Rib Grinding Machine (SGTR-200)

- ✓ Grinding Type: NC Controlled Plunge
- ✓ Workpiece Mounting
: Two-shoe & Magnet chuck
- ✓ Machining Dia. Range: 30 – 100
- ✓ Machining Width Range: 10 – 55
- ✓ Loading: Single or double arm type
- ✓ Dresser: Point traverse type
- ✓ Spindle Angle Range: 0 to +25°
- ✓ Grinding Spindle
: High frequency spindle or belt spindle
- ✓ Spindle Height: About FL 11000
- ✓ Work Spindle RPM: 400 – 1200rpm
- ✓ Stone Spindle RPM: Max. 9000rpm
- ✓ G.W.: 160(OD) x 12(W) x 50.8(B)mm
- ✓ G.W. Table: AC Servo 1.5kW
- ✓ Dress Table: AC Servo 1.5kW
- ✓ Spindle Drive: 1.5kW 4P AC motor

Equipment Image



◆ Grinding Machine for T/R (SGRB-350(250))

- ✓ Machining Type
: Pressing upper ring + Lower ring,
Idle carrier
- ✓ Machining Dia. Range
: 5 – 25 (4 – 15)
- ✓ Machining Length Range
: 10 – 45 (6 – 30)
- ✓ R Range: Max. R350 (R50 – 230)
- ✓ Speed Control
: Differential drive gear
- ✓ Main Spindle
: 100 – 400 (165 – 650)rpm
- ✓ Carrier Speed: 1.5 – 9rpm
- ✓ Pressing Power
: Max. 2500kg (Max. 1500kg)
- ✓ Main Motor
: 11kW 6P (5.5kW 4P) AC motor
- ✓ Differential Motor
: 0.4kW 4P stepless

Equipment Image



Parts Manufacturing Machines

- Grinding Machine

Grinding Machine

◆ Screw Grinding Machine (SGS-1000)

- ✓ Machining Type: Plunge
- ✓ Workpiece Mounting
: Center (BRG. Housing support)
- ✓ Machining Dia. Range: Max. 350
- ✓ Machining Length Range
: Max. 950 (G/W width: based on 50)
- ✓ Pitch Range: 0 – 360
- ✓ Loading: Manual
- ✓ Dresser
: 2-Axis point (rotary) diamond dresser
- ✓ G.W. Tilting: $\pm 40^\circ$
- ✓ G.W. Diameter
: O.D. $\varnothing 500$, I.D. $\varnothing 203$ (max. 50W)
- ✓ Work Spindle Speed: 0.2 – 100rpm
- ✓ Dress Feed Slide Stroke: 80mm

Equipment Image



◆ Vertical Double Disc Grinding (SGDV-585)

- ✓ Grinding Type: Rotary Carrier
- ✓ Machining Dia. Range
: Max. 135
- ✓ Machining Width Range
: Max. 50
- ✓ G.W.: 585(OD) x 75 (W) x 195(B)
- ✓ Wheel Speed: 300 – 900rpm
- ✓ Carrier Size: O.D. 820
- ✓ Carrier Speed: 0 – 10rpm
- ✓ Space Between Wheels: 80
- ✓ Dresser
: Swing arm type point dresser
- ✓ G.W. Motor: 22kW 4P
- ✓ Carrier Motor: Hydraulic
- ✓ G.W. Feed Motor: 2.0kW AC servo

Equipment Image



Parts Manufacturing Machines

- Grinding Machine

Grinding Machine

◆ Vertical Double Disc Grinding (SGDV-360)

- ✓ Grinding Type: In-feed
- ✓ Machining Dia. Range: Max. 60
- ✓ Machining Width Range: Max. 40
- ✓ G.W.
: 355(305)(OD) x 205 x 50T(CBN: 3T)
- ✓ Wheel Speed
: Max. 1800rpm (inverter C.W. / C.C.W.)
- ✓ Loading: Swing arm (carrier)
- ✓ Space Between Wheels: 100
- ✓ Dresser: Rotary dresser
- ✓ G.W. Motor: 7.5kW 4P x 2 sets
- ✓ R/D Rotating: 0.9kW speed variable
- ✓ Index Carrier: 1.0kW AC servo
- ✓ Work Drive: 0.4kW AC servo x 2 sets
- ✓ G.W. Feed: 0.4kW AC servo x 2 sets
- ✓ Loading: 0.5kW AC servo

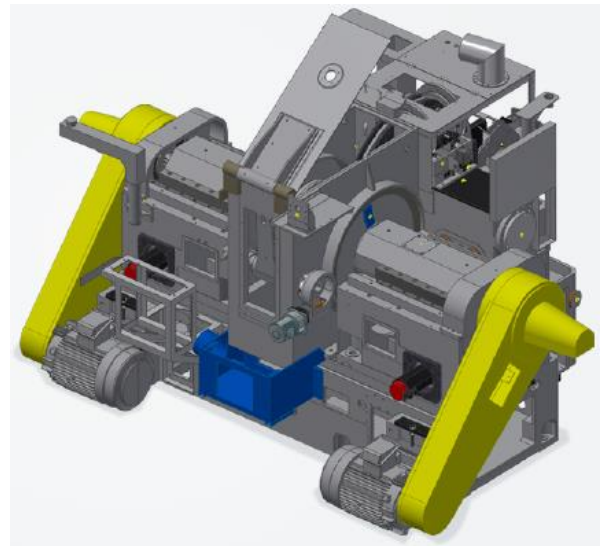
Equipment Image



◆ Horizontal Double Disc Grinding (SGDH-760)

- ✓ Grinding Type
: Rotary carrier or Through-feed
- ✓ Machining Dia. Range: Max. 180
- ✓ Machining Width Range: Max. 70
- ✓ G.W.: 760(O.D.) x 80 x 270
- ✓ Wheel Speed: Max. 700rpm
- ✓ Carrier Size: Max. 1050
- ✓ Carrier Speed: 0.5 – 3rpm
- ✓ Space Between Wheels: 130
- ✓ Dresser: Swing arm type point dresser
- ✓ G.W. Motor : 30kW 4P
- ✓ Carrier: 0.75kW 4P
- ✓ Dresser: 0.1kW 4P (speed control)
- ✓ G.W. Feed: 1.0kW AC servo
- ✓ G.W. Cover: 0.1kW 4P

Equipment Image



Parts Manufacturing Machines

- Grinding Machine

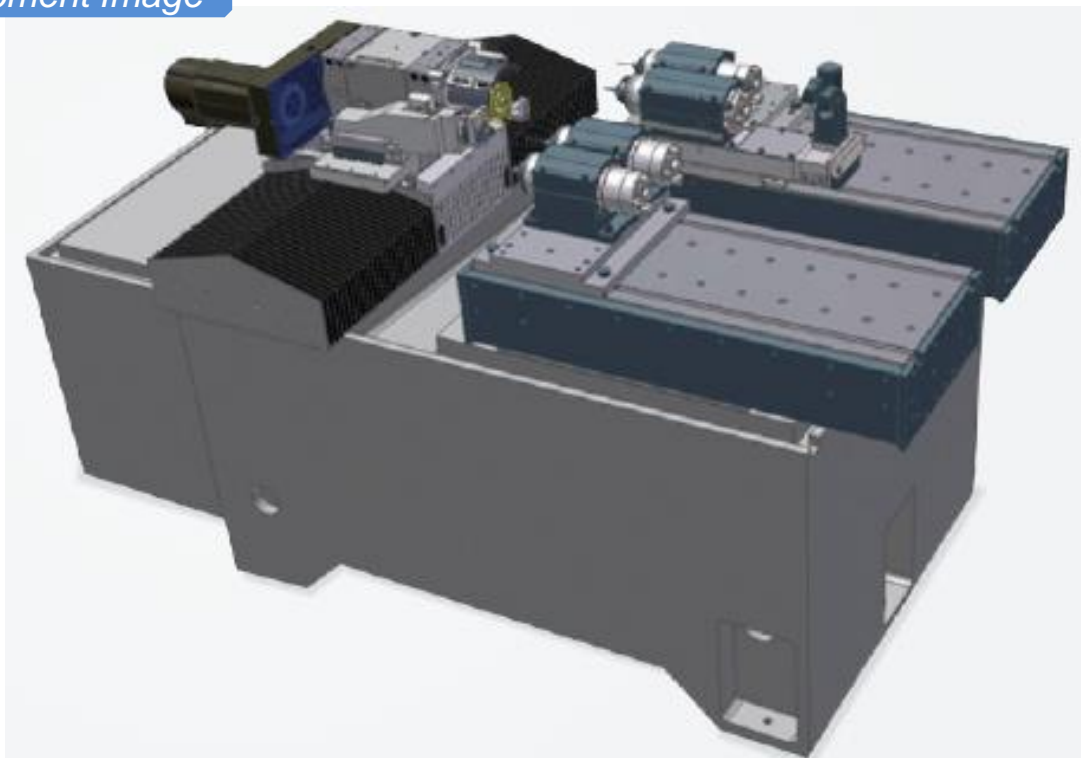
Grinding Machine

◆ Internal/External Complex (SGI-40N)

- ✓ Grinding Type: Plunge & I.D. feeding
- ✓ Chucking Type: Collet type
- ✓ Machining Dia. Range: 3 – 15
- ✓ Machining Width Range: Max. 60
- ✓ I.D. Spindle: High frequency driven spindle
- ✓ I.D. Max. rpm: 105000
- ✓ Work Spindle: Rolling bearing or Hydrostatic type
- ✓ Work Drive: Built-in motor type (max. 4000rpm)
- ✓ Loading: Multi-axis mini robot
- ✓ Dresser: Rotary dresser
- ✓ ID G.W. Slide: AC servo 1.0kW
- ✓ ID Cross Slide AC servo 1.0kW
- ✓ Face: AC servo 1.0kW (oscillation & feed)



Equipment Image



Parts Manufacturing Machines

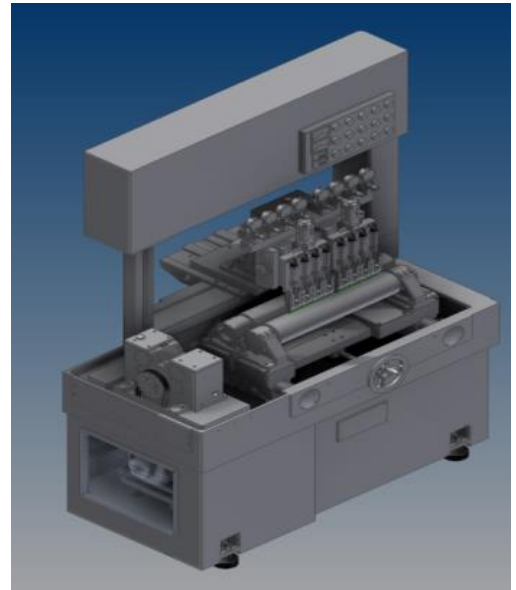
- Superfinishing Machine

Superfinishing Machine

◆ Superfinishing Machine (SLR-650)

- ✓ Machining Type
: Through-feed full automatic
- ✓ Workpiece Mounting
: Support rod & feed roll (Ø152 x 650 L)
- ✓ Machining Dia. Range: 4.5 – 60
- ✓ Machining Length Range: Max. 1000
- ✓ Oscillation: Air bearing slide
- ✓ Oscillation Stroke: 0.5/1.0/1.5/2.0/2.5
- ✓ Oscillation Speed: 700 – 2500fpm
- ✓ Stone Guide
: Air cylinder pressurizing type 6–8 sets
- ✓ Stone Guide Pressure: 1.0 – 4.0kgf/ m²
- ✓ Tilting Angle: ±5 °
- ✓ Swivel Angle: ±2°
- ✓ Up-Down Stroke: 90mm
- ✓ Oscillation Motor: 0.6kW 4P AC motor
- ✓ Oscillation Roll Drive: 3.7kW 4P AC motor

Equipment Image



◆ Superfinishing Machine (SSF-80A(B))

- ✓ Machining Type
: 2-head type stone oscillating
- ✓ Workpiece Mounting
: Arbor (socket ring) + Pressure roller
- ✓ Machining Dia. Range
: 25 – 85 (outer race) / 15 – 60 (inner race)
- ✓ Machining Width Range: 6 – 40
- ✓ Loader: Index type
- ✓ Oscillation Unit: LM bearing slide
- ✓ Oscillation Stroke: 0 – 18° / 0 – 8mm
- ✓ Oscillation Speed: 50 – 2500fpm
- ✓ Spindle RPM
: Max. 3000rpm (outer race)
: Max. 2500rpm (inner race)
- ✓ Oscillation Drive
: 0.37kW 2P AC Motor (R 0.8kW servo)
- ✓ Spindle Drive: 2.2kW 2P AC motor
- ✓ Oil Pressure: 0.37kW 4P AC motor (brake)

Equipment Image



Parts Manufacturing Machines

- Lapping Machine

Lapping Machine

◆ Lapping Machine (SSF-120A/B)

- ✓ Machining Type: Oscillating
- ✓ Workpiece Mounting: Two shoe + Pressure roller
- ✓ Machining Dia. Range
 - : 15 – 110 (outer race)
 - 15 – 90 (inner race)
- ✓ Machining Width Range: 6 – 65
- ✓ Loading: Cassette type
- ✓ Oscillating Unit: Air bearing slide
- ✓ Oscillating Stroke: 0.5/1.0/1.5/2.0/2.5
- ✓ Oscillating Speed: 300 – 2000fpm
- ✓ Spindle RPM
 - : Max. 3300rpm (outer race)
 - Max. 2200rpm (inner race)
- ✓ Oscillation Drive: 0.4kW 4P AC motor
- ✓ Spindle Drive: 1.5kW 4P AC motor



Equipment Image





LPR Global, Inc.

344 Bloor Street W, Suite #607 Toronto, ON M5S 3A7 Canada

www.lprglobal.com | www.uskoreahotlink.com

Tel: +1 416-423-5590

E-Mail: info@lprglobal.com

