

LPR Global provides work head spindles, rough grinding spindles, and finish grinding spindles for tool grinding machines.

Specifications	SW110-WH	SW100-284-R	SW180-6085-R	SW120-8014-F
Application	Work Head	Rough Grinding	Rough Grinding Motor	Finish Grinding
Housing diameter (mm)	110	100	180	120
Housing material	Stainless steel			
Power S1 (kW)			8.5	1.4
Speed (RPM)	5,000	6,000	6,000	8,000
Frequency (Hz)			200	267
Torque (Nm)			14.1	1.7
Current (A)			20	4.1
Motor poles			4	4
Tool change	Manual	Manual	Manual	Manual
Taper interface	MT5	Straight	Straight	Straight
Optional features	Hydraulic chuck			
Cooling system			Water	
Bearing lubrication	Grease	Grease	Grease	Grease

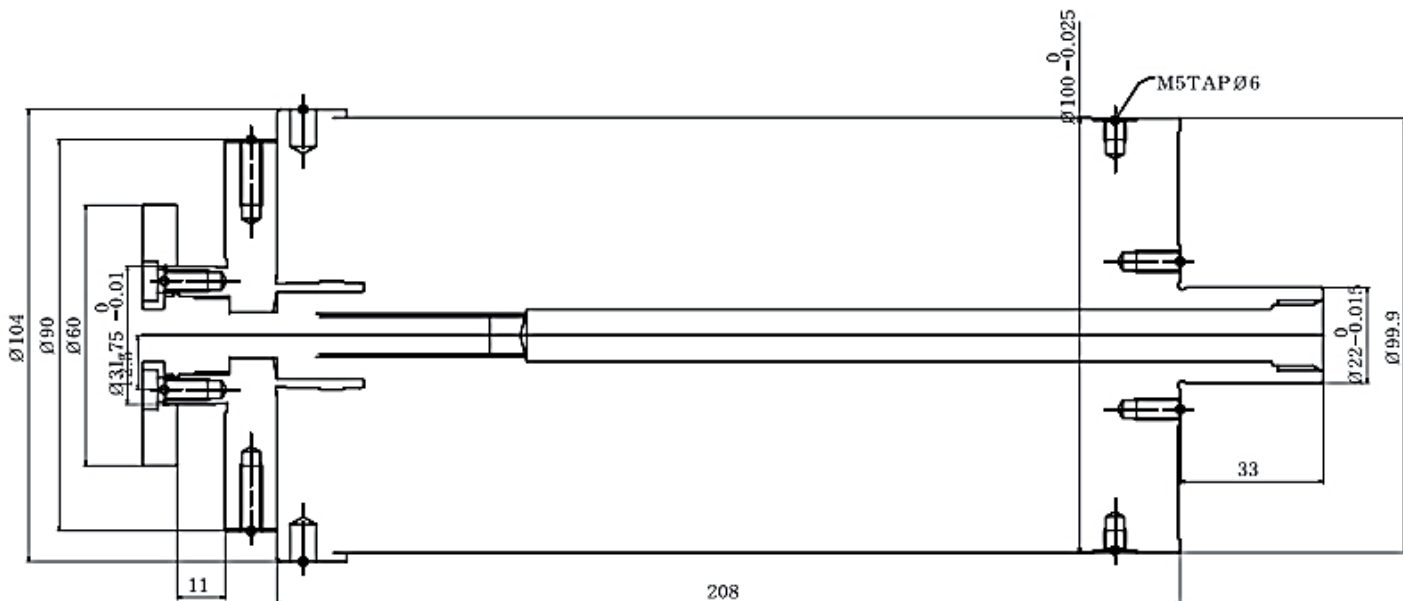
SW110-WH
Work Head Spindle



SW100-284-R
Rough Grinding Spindle



SW100-284-R Drawing



SW180-6085-R Rough Grinding Spindle Motor

