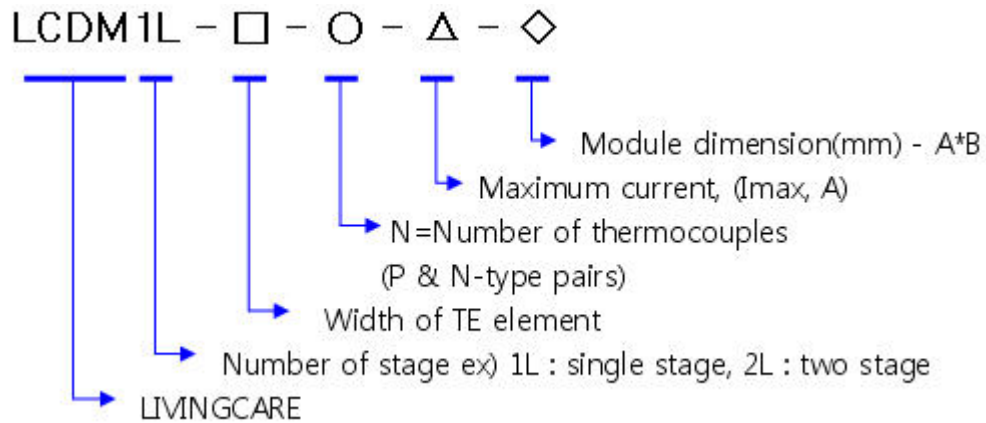
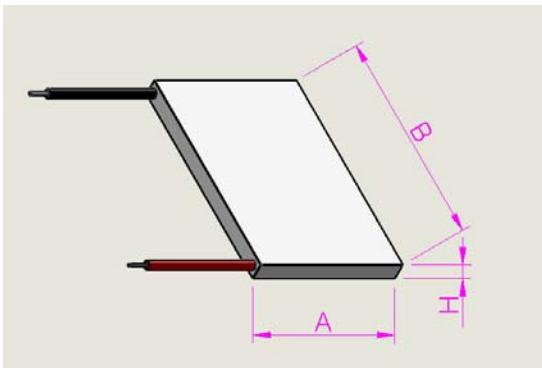


## LCDM1L-1.4-161-6.0-4444

### 1. PART NUMBERING SCHEME



### 2. GENERAL SPECIFICATION



- IMax = Max. input current in amperes at Qc=0 and ΔTMax
- QMax = Max. heat pumping capacity in watts at DT=0
- Vmax = Max. DC input voltage in volts at Qc=0 and IMax
- ΔTMax = Max. temperature differential in °C at Qc=0 and Imax
- When applying plus voltage to red lead wire the upper substrate becomes absorbing surface

MODEL	IMAX(A)	QMAX(W)	VMAX(V)	ΔTMAX(°C)	DIMENSION		
					A	B	H
LCDM1L-1.4-161-6.0-4444	Th=27°C				44±0.5	44±0.5	4.0±0.05
	5.6	67.1	19.3	70			
	Th=50°C						
	6.0	75.4	19.3	79			

\*All specifications are subject to change without notice.

---

SPEC.	Unit	Value
INTERNAL RESISTANCE	$\Omega$	2.7±10%
UNFLATNESS AND NONPARALLED NOT MORE THAN	mm	0.05
MELTING POINT TEMPERATURE OF INTERNAL SOLDER	°C	220
CERAMIC TYPE		Al <sub>2</sub> O <sub>3</sub> 96%
Lead wire		Silicone rubber insulated wire (-60~180°C)