

LPR Global

344 Bloor St. W., #607, Toronto, ON Canada, M5S3A7

Email: info@lprglobal.com | T: 1-905-370-0410

URL: <https://www.uskoreahotlink.com/products/energy/solar-powered-led-lights/>

80W (solar panel power 80 watt)



Solar Street Light



80W (solar panel power 80 watt)

Solar Street Light



80W (solar panel power 80 watt)

❖ **Solar Street Light**



80W (solar panel power 80 watt)

❖ Solar Street Light

Solar street light Battery Specifications

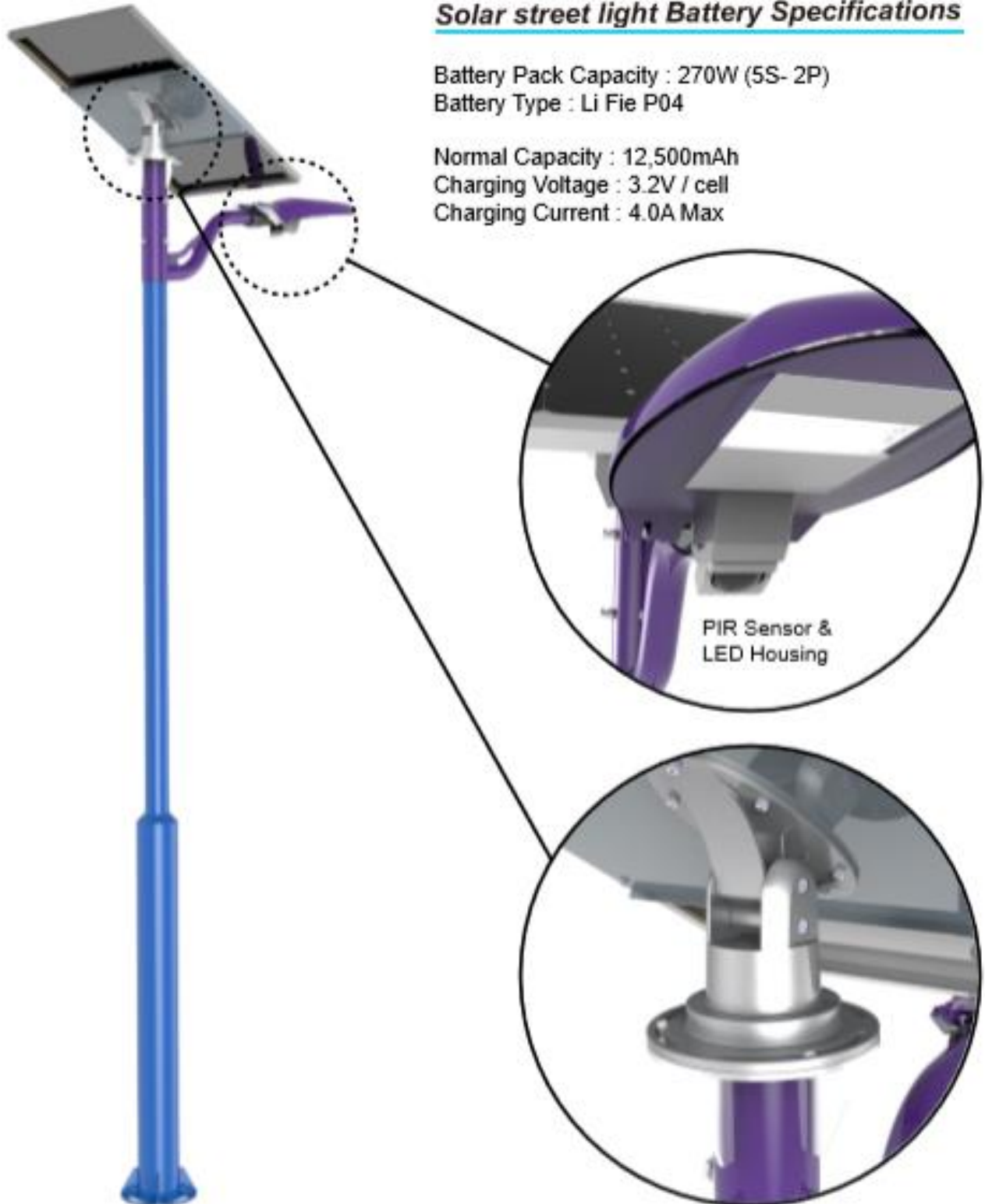
Battery Pack Capacity : 270Wh (5S- 2P)

Battery Type : Li Fei P04

Normal Capacity : 12,500mAh

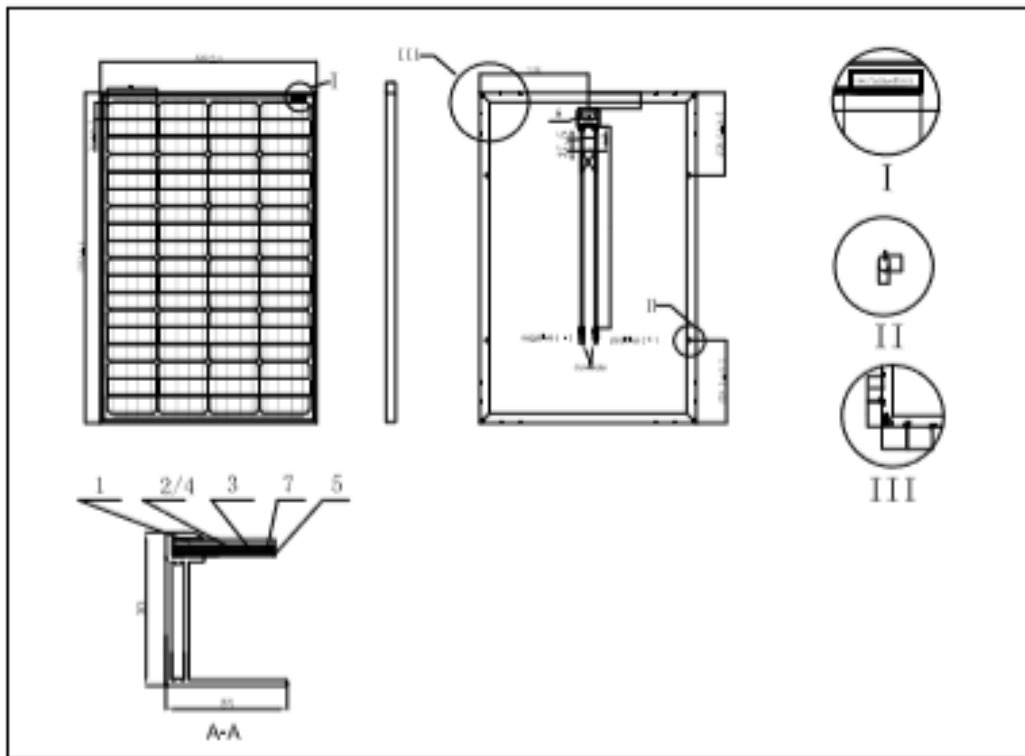
Charging Voltage : 3.2V / cell

Charging Current : 4.0A Max



80W (solar panel power 80 watt)

Solar Module



Solar Panel

Output Power : 80(W)

Dimension : 1200mm x 554mm x 30mm

Weight : 7kg

Open Circuit Voltage : 21.6 (V)

Short Circuit Current : 4.7 (A)

Voltage at Peak Power : 18.0V

Current at Peak Power : 4.45A

80W (solar panel power 80 watt)

❖ Street Light Housing & LED Module



Product characteristics

- High efficiency module adopted
- Sleek modern sense of streamlined area light
- 40% weight relief than other companies
- Excellent economics with the replaceable module
- Arm Socket : 60.5mm
- Size : 805 x 295 x 115

LED LAMP

LED Chip : LG LEMWA 33x759 x 1000

Color Temperature : 5700K

LED Drive Circuit : 6S-2P X 2

Lumen : 5200lm approx

Environment : IP66

CRI : 77 approx

Lamp Voltage : 18V

Lamp Current : 1.1Am

Lamp Power Consume : 20 watt approx

80W (solar panel power 80 watt)

❖ **Main Controller(Solar Charge, PCM)**

PCM Specifications

Applicable Battery Pack : Li-ion P04. 5S-2P

Function

a) Overcharge Protection

b) Overdischarge Protection

c) Overcurrent Protection

d) Short Circuit Protection

e) Number of charging Cycle : 3000

MAIN Controller

-Function

a) Monitoring battery voltage and cuts lamp load when battery fails.

b) Lighting control with dimming.

-Daily Lighting Plan

a) Lighting of first 3hours (No dimming time band)

-20Watt Lighting power is output to the lamp for the first 3 hours from the civil twilight time in the evening

b) Lighting of 2nd 3hours (Dimming Control) by PIR sensor.

-Lights with 8 watt power when no passerby is detected.

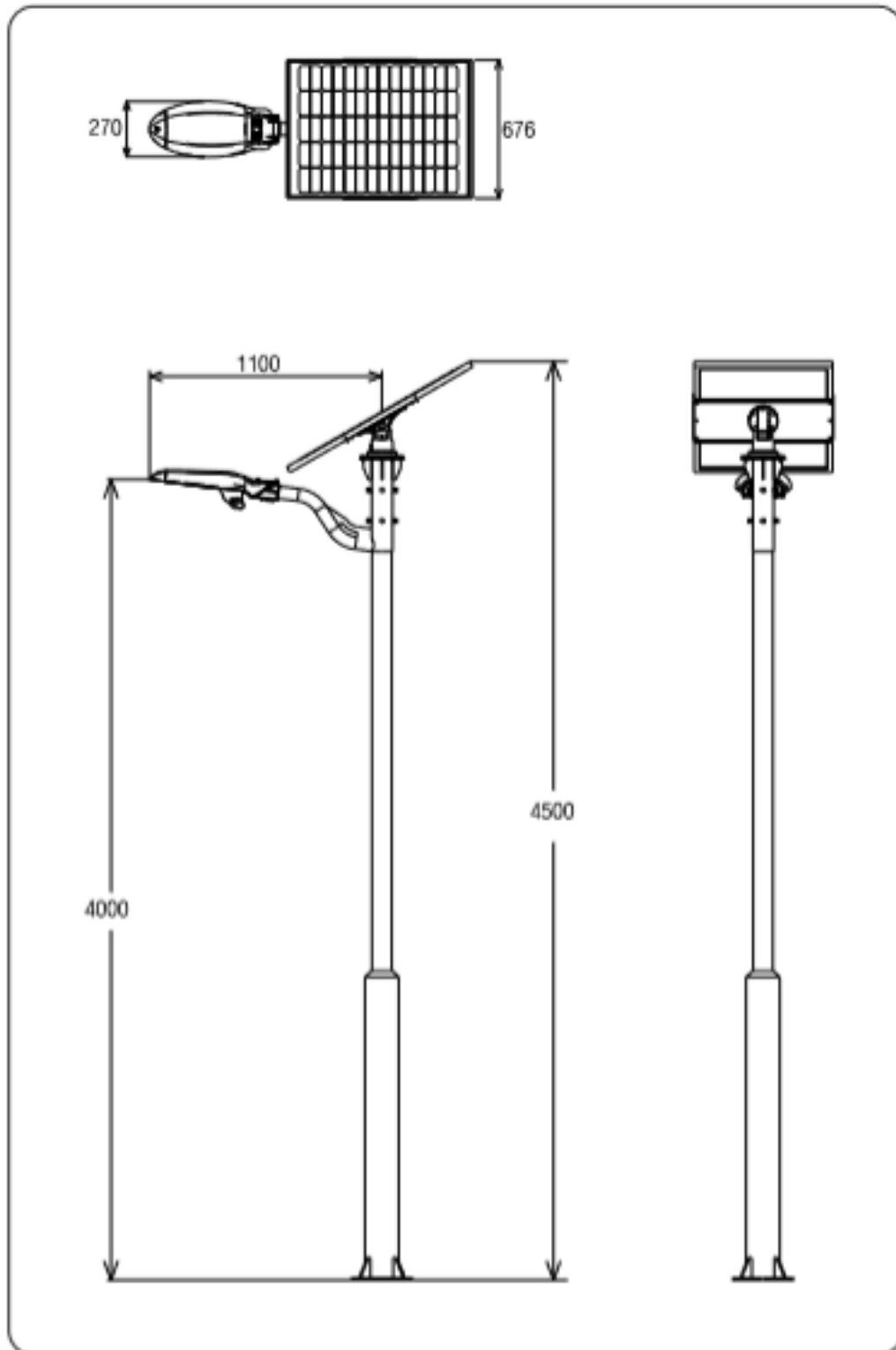
-Light for 1 minute with 20 watt power when passerby is detected.

c) Lighting of 3rd 3hours (Dimming Control by PIR sensor)

-Lights with 4 watt power when no passerby is detected.

-Lights for 1 minute with 20watt power when passerby is detected.

❖ **Solar Street Light Demensions(mm)**



80W (solar panel power 80 watt)