

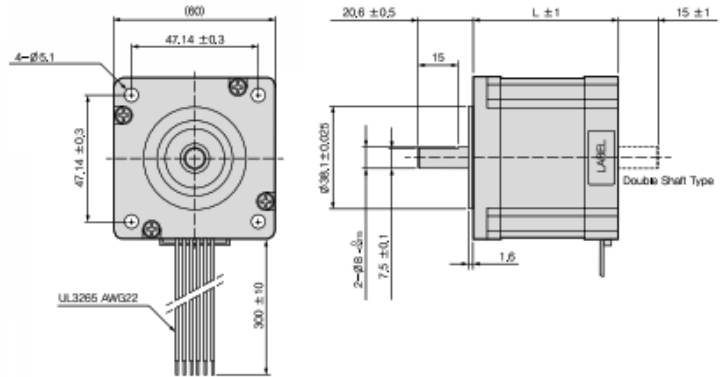


# 1.8° Hybrid Stepper Motors

## 60Q Series | NEMA 24 (60 mm)



Dimension Specification



Wiring Diagram



### SPECIFICATIONS

U n i p o l a r	Model No.	Holding Torque (N · cm)	Motor Length (L=mm)	Rotor Inertia (g · cm <sup>2</sup> )	Rated Voltage (V/Phase)	Rated Current (A/Phase)	Winding Resistance (Ω/Phase)	Inductance (mH/Phase)
	4S60Q-04254S	98.07	54	400	4.2	2.0	2.0	2.9
	4S60Q-02754S	98.07	54	400	2.7	3.0	0.8	1.2
	4S60Q-04865S	132.39	65	570	4.8	2.0	2.4	3.0
	4S60Q-03065S	132.39	65	570	3.0	3.0	1.0	1.4
	4S60Q-04285S	205.94	85	840	4.2	3.0	1.4	2.7

B i p o l a r	Model No.	Holding Torque (N · cm)	Motor Length (L=mm)	Rotor Inertia (g · cm <sup>2</sup> )	Rated Voltage (V/Phase)	Rated Current (A/Phase)	Winding Resistance (Ω/Phase)	Inductance (mH/Phase)
	2S60Q-01854S	132.39	54	400	1.8	4.0	0.4	1.2
	2S60Q-03054S	137.29	54	400	3.0	2.8	1.0	2.9
	2S60Q-02065S	176.52	65	570	2.0	4.0	0.5	1.4
	2S60Q-03665S	186.33	65	570	3.6	2.8	1.2	3.0
	2S60Q-02885S	264.78	85	840	2.8	4.0	0.7	2.7



# 1.8° Hybrid Stepper Motors Performance Data

## 60Q Series | NEMA 24 (60 mm)

### Torque/Speed Curve

- DRIVER CHOPPER
- SUPPLY VOLTAGE: DC 24.0V
- 2 PHASE EXCITING
- MOUNTING WITH RUBBER DAMPER

