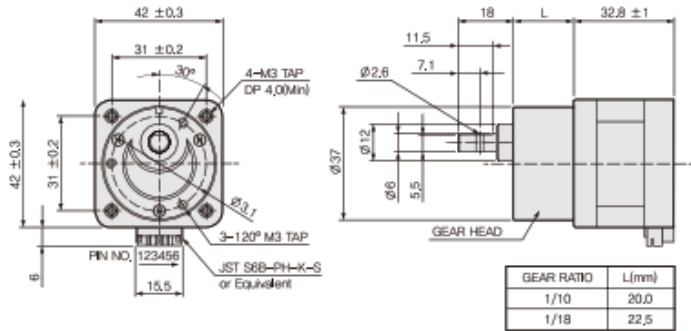




# Geared Hybrid Stepper Motors

## 42Q Geared Series | NEMA 17 (42 mm)

### Dimension Specification



### Wiring Diagram



## SPECIFICATIONS

U n i p o l a r	Model No.	Gear Ratio	Step Angle (Degree)	Holding Torque (N · cm)	Motor Length (L=mm)	Rotor Inertia (g · cm <sup>2</sup> )	Rated Voltage (V/Phase)	Rated Current (A/Phase)	Winding Resistance (Ω/Phase)	Inductance (mH/Phase)
	4S42Q-G03434K10	1:10	0.18	58.84	54.0	38	3.4	1.2	2.8	1.9
4S42Q-G03434K18	1:18	0.10	58.84	56.5	38	3.4	1.2	2.8	1.9	

B i p o l a r	Model No.	Gear Ratio	Step Angle (Degree)	Holding Torque (N · cm)	Motor Length (L=mm)	Rotor Inertia (g · cm <sup>2</sup> )	Rated Voltage (V/Phase)	Rated Current (A/Phase)	Winding Resistance (Ω/Phase)	Inductance (mH/Phase)
	2S42Q-G02434K10	1:10	0.18	58.84	54.0	38	2.4	1.7	1.4	1.9
2S42Q-G02434K18	1:18	0.10	58.84	56.5	38	2.4	1.7	1.4	1.9	



# Geared Hybrid Stepper Motors Performance Data

## 42Q Geared Series | NEMA 17 (42 mm)

### Torque/Speed Curve

- DRIVER CHOPPER
- SUPPLY VOLTAGE: DC 24.0V
- 2 PHASE EXCITING
- MOUNTING WITH RUBBER DAMPER

