

Industrial Thermostat

# LTS-Series

## Features

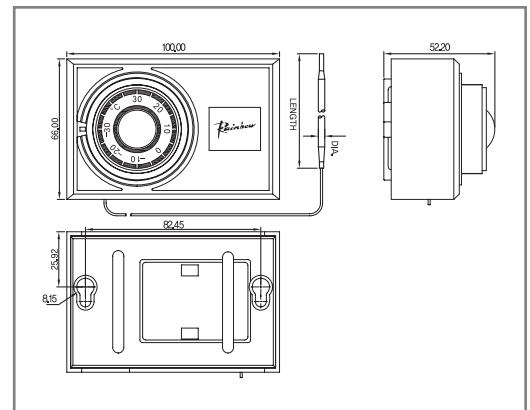
- Suitable for surface mounting
- Control with change-over switch
- Capillary : 1,000 mm
- 20A/250V

## Applications

- Cold Storage
- Aquariums
- Commercial Refrigerators

## Specification

Model	Temp. Range	Accuracy	Bulb
LTS-030S	-30°C ~ 30°C	±2°C	5.8ø × 127mm
LTS-050S	0°C ~ 50°C	±2°C	5.8ø × 127mm
LTS-080S	0°C ~ 80°C	±3°C	5.8ø × 121mm
LTS-120S	0°C ~ 120°C	±3°C	5ø × 106mm



Industrial Thermostats

# ITS-Series

## Features

- 150mm lead wire provided for out-put connection
- Multi-function plastic housing
- One control for heating and cooling
- 20A/250V

## Applications

- Fan Heater (Ventilation)
- Warehouses
- Garages

## Specification

Model	Temp. Range	Accuracy
ITS-050L	0°C ~ 50°C	±3°C

