



# Deep Foundation & Excavation Equipment

Drilling Machine, Piling Equipment, Clamshell Grabs  
Hydromill Trench Cutter, Attachments

# Equipment Overview

## Large Bore Pile Drilling Equipment

**Reverse Circulation Drilling Machine**

**Casing Oscillators & Rotators**

**Clamshell Hammer Grabs**

**Power Packs**

## Diaphragm Wall Equipment

**Hydromill Trench Cutter**

**Diaphragm Wall Grab**

**Desander**

**Filter Press**

## Attachments

# Drilling and Construction Equipment

## Hydraulic Power Packs

Specification	Smallest Model	Largest Model
Dimensions (W x L x H)	1,380 x 3,420 x 1,885 mm	2,400 x 5,635 x 3,055 mm
Engine Output	175 HP	760 HP
Nominal Engine Speed	1,800 RPM	1,800 RPM
EPD Standard	EPA / CARB Tier 2	EPA / CARB Tier 2
Main Hydraulic Pump Max. Flow	2 x 115 L/min	3 x 300 L/min
Max Pressure	300 bar	320 bar
Oil Tank	550 L	2,000 L
Fuel Tank	350 L	1,100 L
Unit Weight	4,000 kg	17,000 kg

\* Additional specifications available upon request.

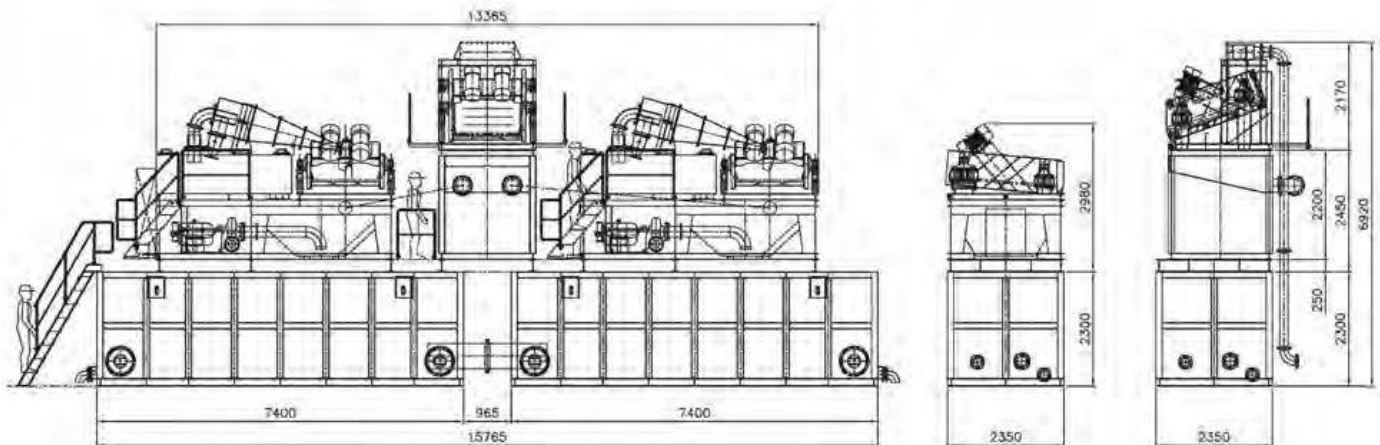


# Drilling and Construction Equipment

## Desander

LPR Global's Desander treats water-bentonite, water-cement and other slurries to **restore the original properties of the slurries for re-use.**

Specification		D-150	D-250	D-500
Capacity		150 m <sup>3</sup> /h	250 m <sup>3</sup> /h	500 m <sup>3</sup> /h
Size (W x L x H)		2,400 x 7,000 x 3,400 mm	2,400 x 9,000 x 4,600 mm	2,400 x 14,000 x 4,600 mm
Primary Unit	Vibration Motor	2 kW x 6P (2pcs)	2 kW x 6P (2pcs)	2 kW x 6P (2pcs)
	Screen Mesh	-	5 x 25	5 X 25
Secondary Unit	Vibration Motor	3 kW x 6P (2pcs)	3 kW x 6P (2pcs)	3 kW x 6P (4pcs)
	Screen Mesh	0.5 X 15	0.5 X 15	0.5 X 15
Cyclone		D450 (1 set)	D450 or D670 (1 set)	D670 (2 sets)
Desanding Pump		6" x 4" (1 set)	8" x 6" (1 set)	8" x 6" (2 sets)
Weight		11 tons	13 tons	22 tons



# Drilling and Construction Equipment

## Desander



# Drilling and Construction Equipment

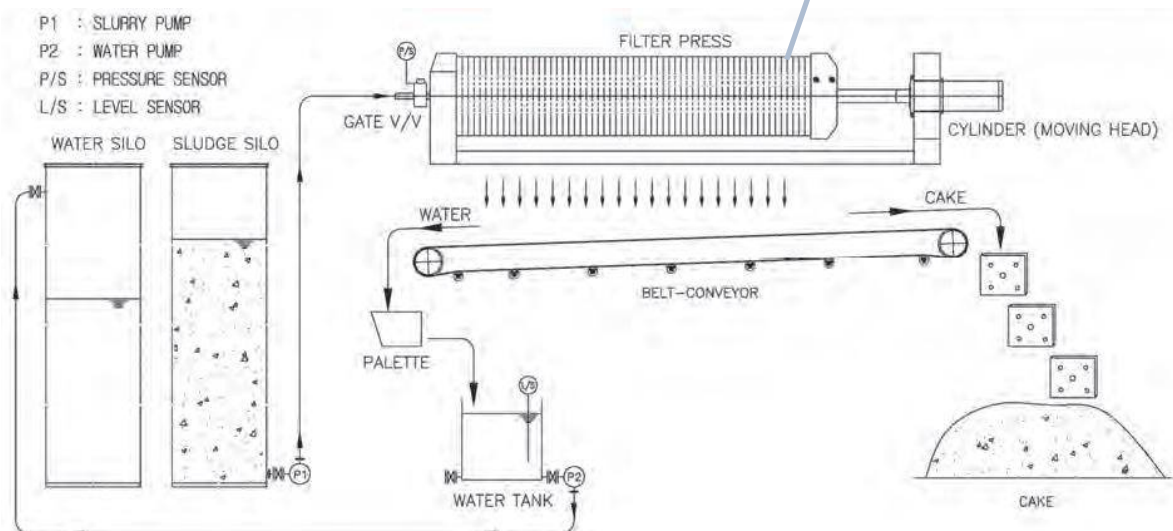
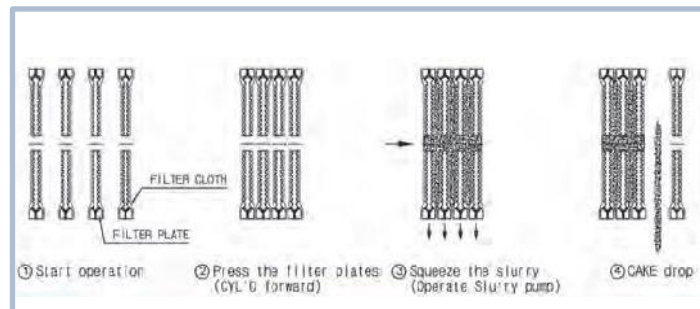
## Filter Press

Our Filter Press treats wastewater and bentonite slurry from diaphragm wall construction sites. Processed solid cakes have a **25%-35% water content**.

Specification	Lowest Volume	Highest Volume
Slurry Water Input Volume (80% water)	5.25 m <sup>3</sup> /cycle	21.0 m <sup>3</sup> /cycle
Solid Cake Discharge Volume (30% water)	1.5 m <sup>3</sup> /cycle	6.0 m <sup>3</sup> /cycle
Recycled Water Volume	3.75 m <sup>3</sup> /cycle	15 m <sup>3</sup> /cycle

\* Additional specifications available upon request.

Cycle	Time (min)
1. Cylinder (Moving Head)	2
2. Slurry Pump – 1 <sup>st</sup> Pressing	25
3. Slurry Pump – 2 <sup>nd</sup> Pressing	5
4. Core Blow Operation	4
5. Moving Head Backward	2
6. Cake Drop	12
<b>Total</b>	<b>Approx. 50</b>



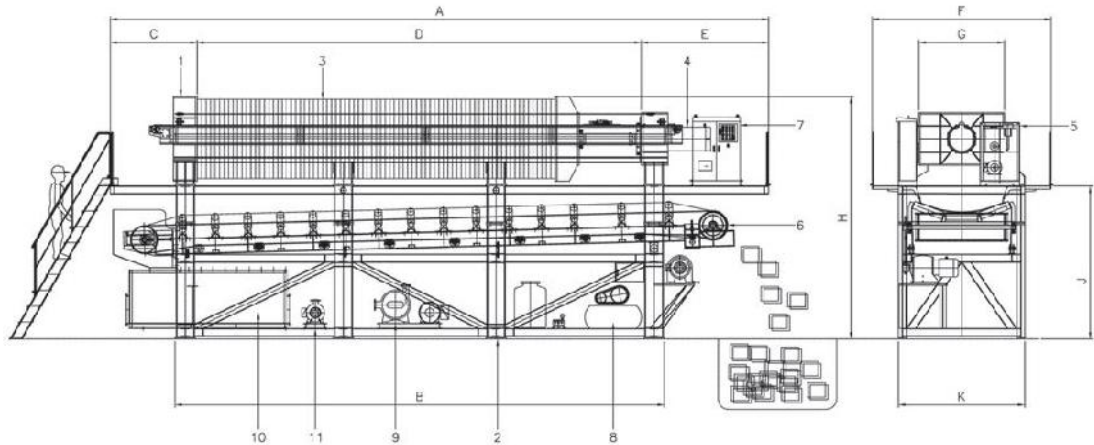
# Drilling and Construction Equipment

## Filter Press



# Drilling and Construction Equipment

## Filter Press



Specification	Lowest Volume	Highest Volume
Min. Cycle Time	40 min/cycle	50 min/cycle
Volume of Cake	1.5 m <sup>3</sup> /cycle	6.0 m <sup>3</sup> /cycle
Filter Plate Size	1,000 x 1,000 x 64T	1,500 x 1,500 x 85 T
Filter Plate Quantity	60 pcs	80 pcs
Filter Plate Material	Polypropylene	Polypropylene
Filter Plate Type	Recessed	Recessed/Membrane
Cake Thickness	30 mm	45 mm
Control System	Automatic & Manual	Automatic & Manual
Slurry Feed Pump	10 m <sup>3</sup> /min x 50 m	1.5 m <sup>3</sup> /min x 70 m
Belt Conveyor	1,200 W x 20° x 7,100 L	1,700 W x 20° x 10,800 L
Hydraulic Unit	5.5 kW x 200 L	11 kW x 250 L
Hydraulic Cylinder	240/140-700 ST	350/200-1000 ST
Air Compressor	3.7 kW	5.5 kW
Water Tank Capacity	3 m <sup>3</sup>	3 m <sup>3</sup>
Water Pump	80 A	100 A

\* Additional specifications available upon request.



# Project References

Product	Client	Model	Site	Qty
Desander	Han Mi Construction	SBD100	Korea	4 sets
	아주렌탈	SBD150	Korea	1 set
	Paul Y. Engineering Group	SBD500	Singapore	22 sets
Filter Press	A.H. Beck Foundation Co.	SFP120/60	U.S.A.	1 set
	L&M	SFP150/60	Singapore	8 sets
	Keller Group	SFP150/80	Australia	12 sets
	LT Sambo	SFP150/97	Singapore	7 sets
	Machun Construction		Korea	8 sets





LPR GLOBAL

344 Bloor Street W, Suite 607, Toronto, ON Canada M5S 3A7

[www.lprglobal.com](http://www.lprglobal.com) | [www.uskoreahotlink.com](http://www.uskoreahotlink.com)

**URL:** <https://www.uskoreahotlink.com/products/machinery/pile-foundation-reverse-drilling-equipment/>

Tel.: +1 416-423-5590

E-Mail: [info@lprglobal.com](mailto:info@lprglobal.com)

