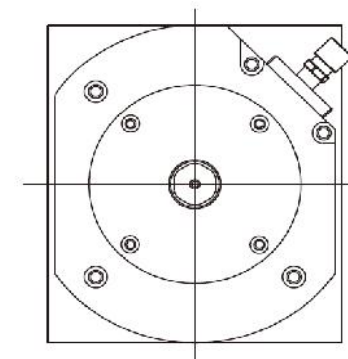
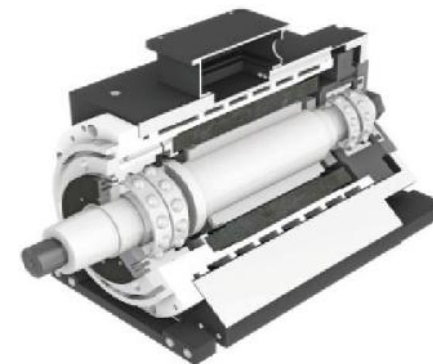
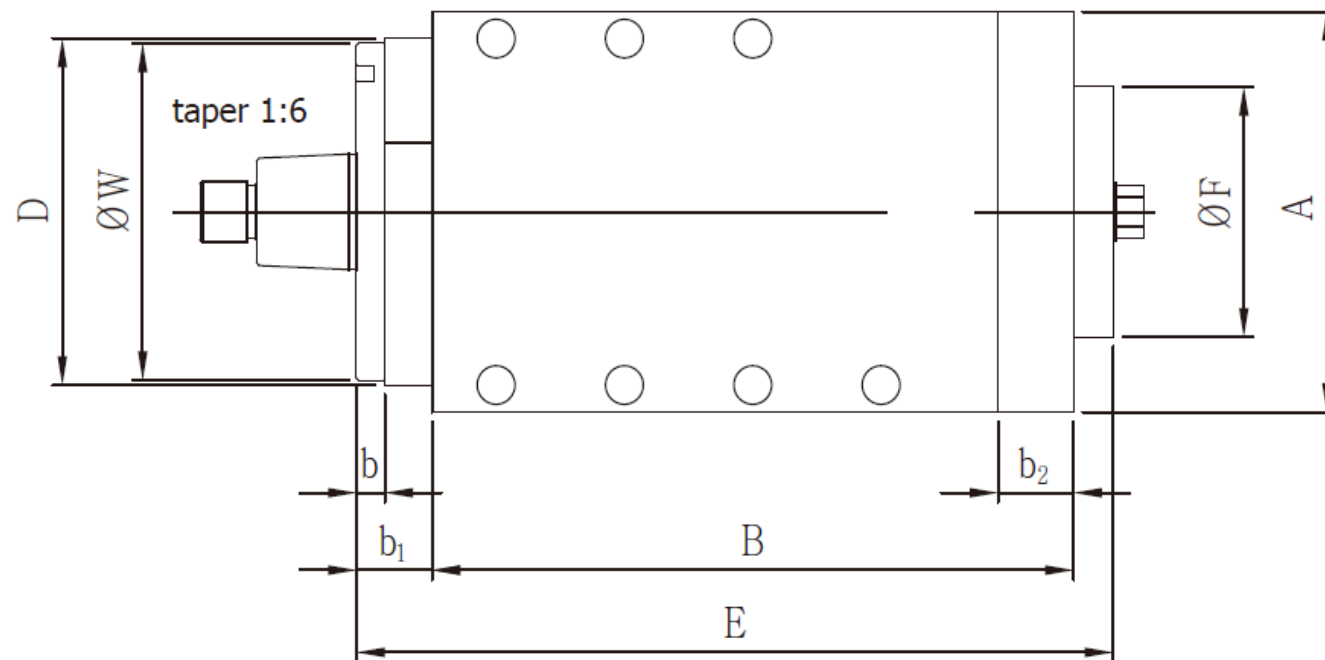


Model	Max. Speed	Power Specifications					Dimension								
		Torque			Voltage at Frequency		A	B	b	b ₁	b ₂	D	E	F	W
	n max	Ms6	Ps6	n	V	f max									
	[rpm]	[NM]	[kW]	[rpm]	[V]	[Hz]									
SRG500-2X	2000	38.2	8	2000	350/(220)	1200	18	43	15	40	43	17	49	13	175
0							4	0	6	2	0				
SRG500-2YZ							20	34	15	40	40	18	40	13	175
							8	0	0	0	0	0	1	0	0



Model	Max. Speed	Power Specifications					Dimension								
		Torque			Voltage at Frequency		A	B	b	b_1	b_2	D	E	F	W
	n max	Ms6	Ps6	n	V	f max									
[rpm]	[NM]	[kW]	[rpm]	[V]	[Hz]										
SRG500-2X	2000	38.2	8	2000	350/(220)	1200	18	43	15	40	43	17	49	13	175
0							4	6				2	0		
SRG500-2YZ							20	34				18	40	13	
							8	0				0	1	0	