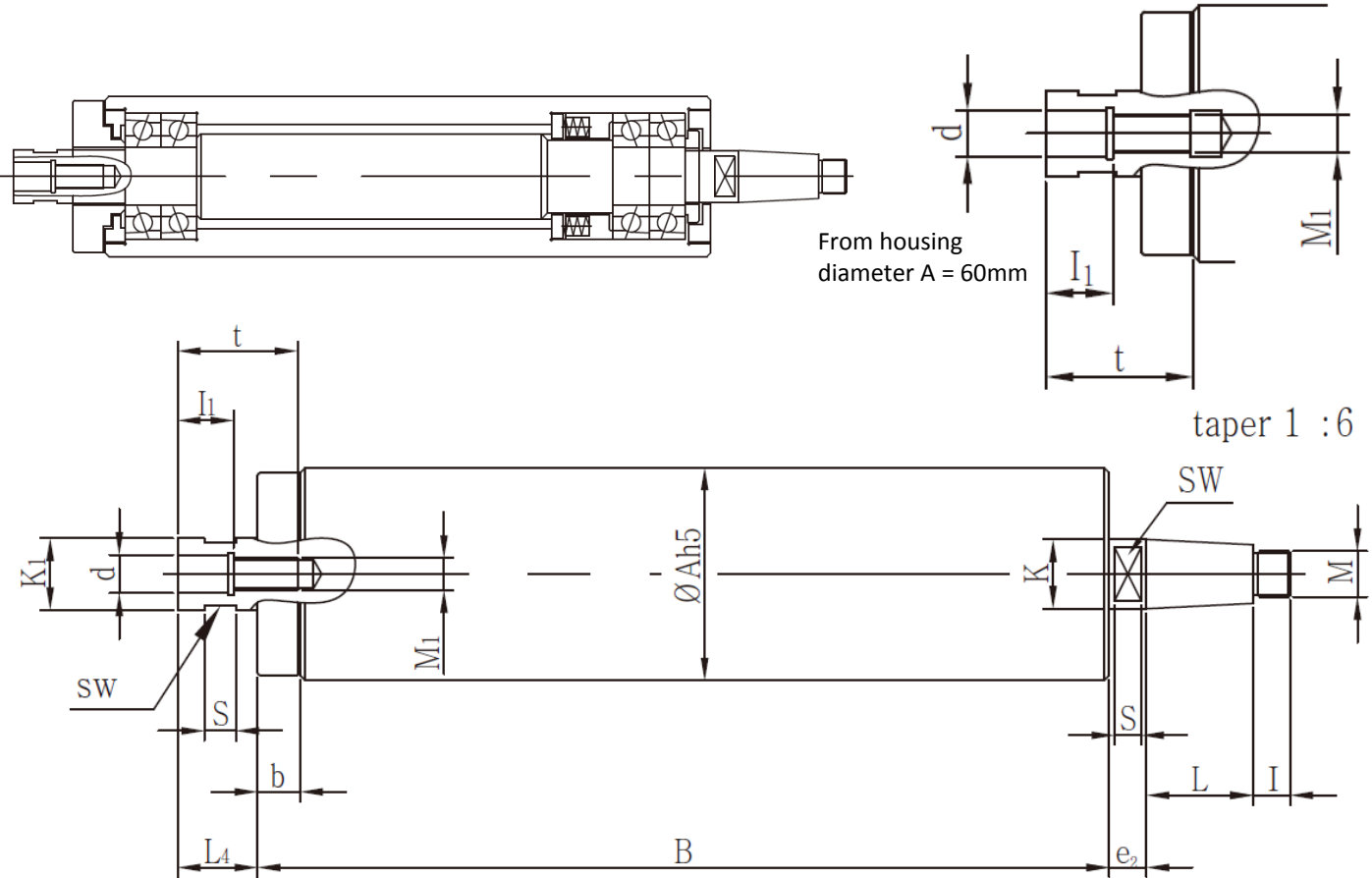


Belt-Driven Spindle – SBIX

<http://www.uskoreahotlink.com/products/manufacturing/high-frequency-spindles/>



A x B	Dimension														Speed	
	K	L	K ₁	L ₂	e ₂	b	M	I	d	I ₁	M ₁	t	SW	S	Max	Min ⁻¹
	mm															
SBIX 60x200																
250	23	34	23	16	10	8	M12x1	10	13.2 +0.0040	13	M6	26	19	8	22000	
315																
400															20000	
SBIX 70x250																
315	28	42	28	20	13	9	M15x1	11	16.2 +0.0060	16	M8	30	24	10	18000	
SBIX 80x250																
315	33	48	33	25	14	10	M20x1	12	18.2 +0.0060	18	M10	34	27	12	17000	
400															14500	
SBIX 100x315																
400	43	63	43	28	16	10	M25x1	14	24 +0.0060	24	M12	42	36	14	13000	
500																