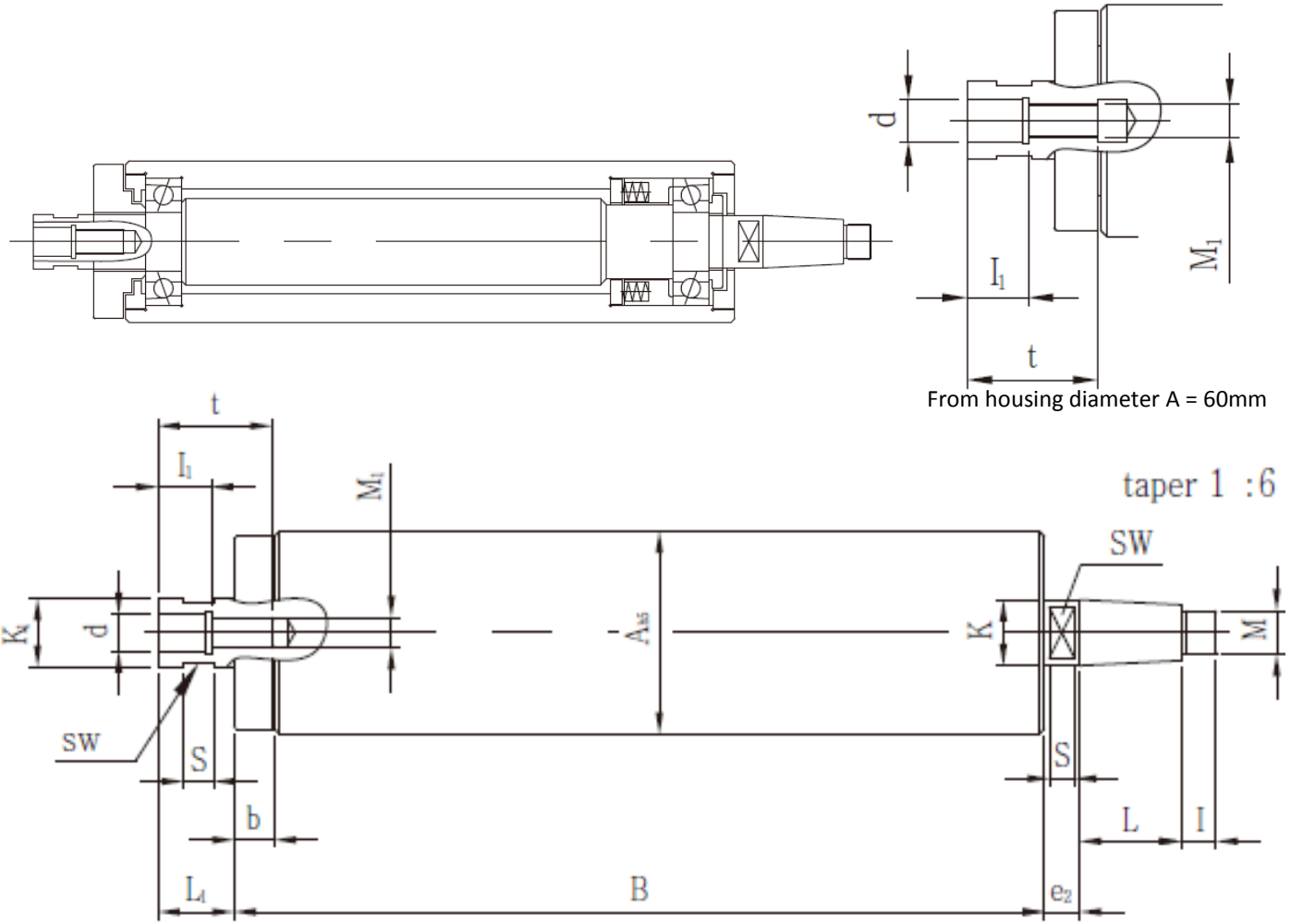
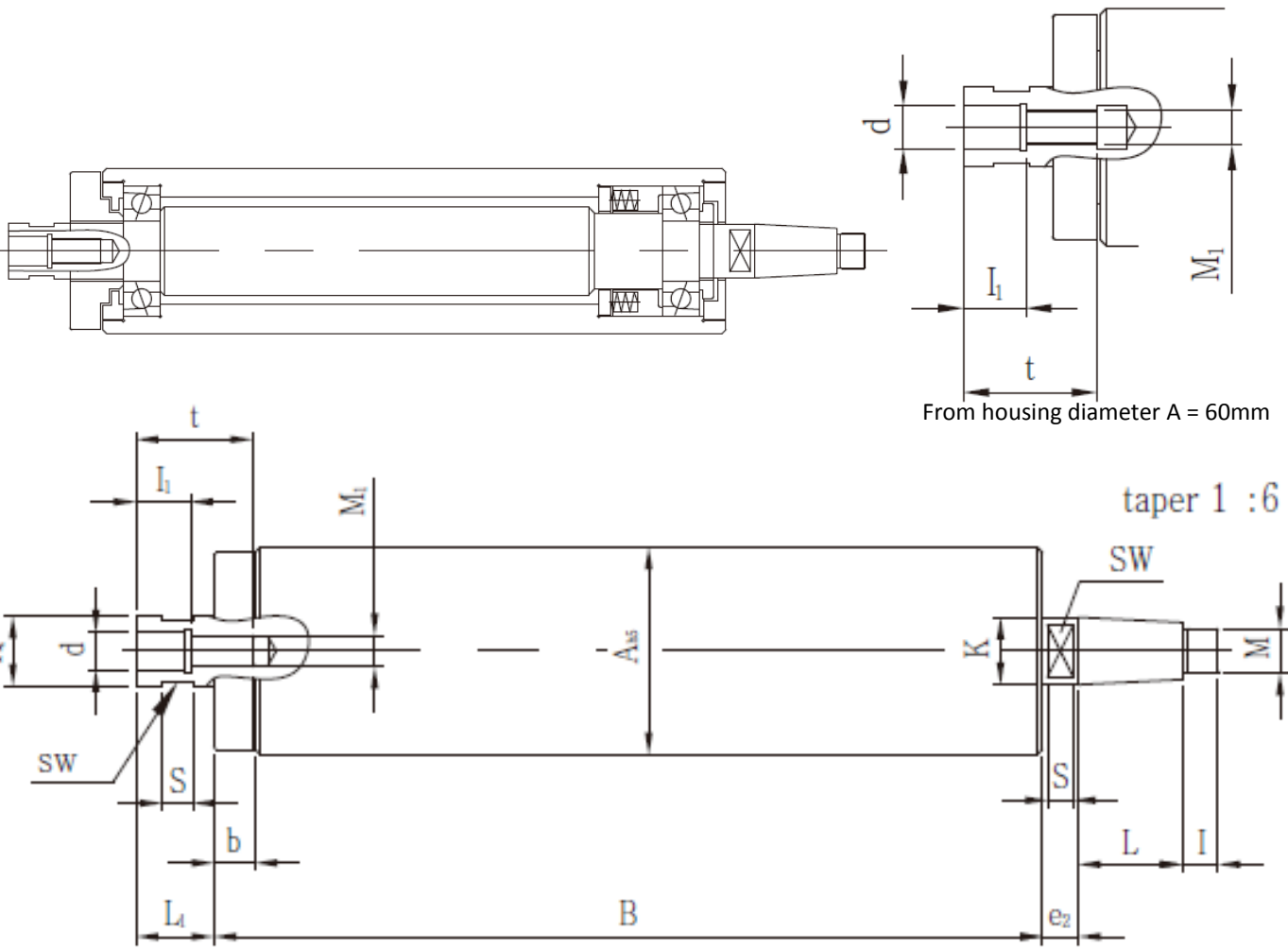


Belt-Driven Spindle – SBI

<http://www.uskoreahotlink.com/products/manufacturing/high-frequency-spindles/>



A x B	Dimension														Speed	
	K	L	K ₁	L ₂	e ₂	b	M	I	d	l ₁	M ₁	t	SW	S	Max	
	mm														Min ⁻¹	
SBI 40x160																
200	13	20	13.5	12	7	7	M8x1	7	7.2 +0.0040	10.5	M6	22	11	6	35000	
250																
SBI 50x160																
200	15.5	24	15.5	12	7	8	M10x1	7	8.2 +0.0040	12	M8	24	13	6	29000	
250																



A x B	Dimension														Speed
	K	L	K ₁	L ₂	e ₂	b	M	I	d	l ₁	M ₁	t	SW	S	Max
	mm														Min ⁻¹
SBA 60x200															
250	23	34	23	16	10	8	M12x1	10	13.2 +0.0040	13	M6	26	19	8	22000
315															
SBA 70x200															
250	28	42	28	20	13	9	M15x1	11	16.2 +0.0060	16	M8	30	24	10	18000
315															
SBA 80x200															
250	33	48	33	25	14	10	M20x1	12	18.2 +0.0060	17	M10	34	27	12	17000