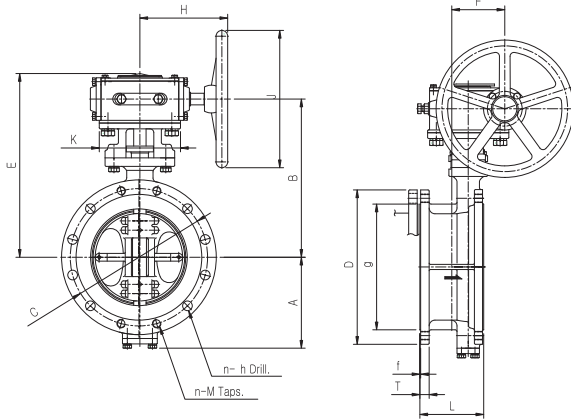


# METAL SEAT BUTTERFLY VALVE

## Fire Safety Valve

### SPECIFICATION

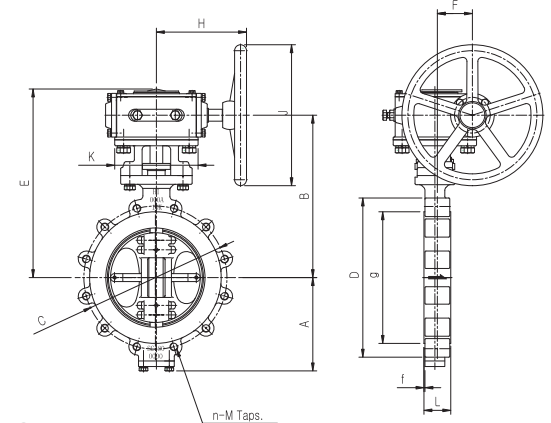
1. Design standard : JIS, ANSI, ISO, BS, API etc.
2. Design pressure : 5kg/cm<sup>2</sup>, 10kg/cm<sup>2</sup>, 16kg/cm<sup>2</sup>, 20kg/cm<sup>2</sup>
3. Design temperature : - 40 °C ~ + 600 °C
4. Size : 80A ~ 1000A
5. Fluid : Steam, Oil, Sea Water, Gas, Chemical



## BSM-F

### OPERATION OPTION :

- Manual Type
- Hydraulic Actuator
- Electric Actuator
- Pneumatic Actuator



## BSM-L

### OPERATION OPTION :

- Manual Type
- Hydraulic Actuator
- Electric Actuator
- Pneumatic Actuator

**OUTLINE DIMENSIONS TABLE (10K)**

UNIT:mm

\* Drill (bolt pitch shall be metric coarse thread)

Size	General Dimension								L	ø D	ø g	T-f	Applicable bolt type ø h : Hex.Bolt / M : Hex.Bolt		
	inch	mm	A	B	E	F	H	ø J					K	ø C	n - ø h (bolt)
3	80	109	256	309	94	180	200	150	114	185	130	18-2	150	4-ø19(M16 x 60L)	4-M16(M16 x 40L)
4	100	123	268	321	96.5	180	200	150	127	210	155	18-2	175	4-ø19(M16 x 65L)	4-M16(M16 x 40L)
5	125	146	293	346	101.5	180	250	150	140	250	185	20-2	210	4-ø23(M20 x 70L)	4-M20(M20 x 45L)
6	150	163	318	371	101.5	180	250	150	140	280	215	22-2	240	4-ø23(M20 x 75L)	4-M20(M20 x 45L)
8	200	192.5	379	434	118.5	190	300	175	152	330	265	22-2	290	8-ø23(M20 x 75L)	4-M20(M20 x 45L)
10	250	235	432	498	137	230	480	210	165	400	325	24-2	355	8-ø25(M22 x 80L)	4-M22(M22 x 50L)
12	300	261	457	523	139	230	480	210	178	445	370	24-3	400	12-ø25(M22 x 80L)	4-M22(M22 x 50L)
14	350	297	487	541	83	285	480	250	190	490	415	26-3	445	12-ø25(M22 x 85L)	4-M22(M22 x 55L)
16	400	322	524	579	87	285	480	250	216	560	475	28-3	510	12-ø27(M24 x 90L)	4-M24(M24 x 60L)
18	450	354	559	614	87	285	480	250	222	620	530	30-3	565	16-ø27(M24 x 95L)	4-M24(M24 x 60L)
20	500	389	615	671	96	320	480	325	229	675	585	30-3	620	16-ø27(M24 x 95L)	4-M24(M24 x 60L)
22	550	428	645	727	98.5	320	480	325	267	745	640	32-3	680	16-ø33(M30 x 105L)	4-M30(M30 x 65L)
24	600	456	695	766	140.5	320	480	400	267	795	690	32-3	730	20-ø33(M30 x 105L)	4-M30(M30 x 65L)

\* Note : 1. Flange rating is maker standard, but other standards are available on request.  
2. Above Dimensions is subject to change without prior notice.

**OUTLINE DIMENSIONS TABLE (10K)**

UNIT:mm

\* Drill (bolt pitch shall be metric coarse thread)

Size	General Dimension								L	ø D	ø g	f	Applicable bolt type ø h : Hex.Bolt / M : Hex.Bolt		
	inch	mm	A	B	E	F	H	ø J					K	ø C	n - ø h (bolt)
3	80	109	256	311	61	180	200	150	48	185	130	2	150	-	8-M16(M16 x 40L)
4	100	123	268	323	60	180	200	150	54	210	155	2	175	-	8-M16(M16 x 40L)
5	125	146	293	348	60	180	250	150	57	250	185	2	210	-	8-M20(M20 x 45L)
6	150	163	318	373	60	180	300	150	57	280	215	2	240	-	8-M20(M20 x 45L)
8	200	193	379	436	74.5	190	400	175	64	330	265	2	290	-	12-M20(M20 x 45L)
10	250	235	432	500	90	230	480	210	71	400	325	2	355	-	12-M22(M22 x 50L)
12	300	261	457	525	90.5	230	480	210	81	445	370	3	400	-	16-M22(M22 x 50L)
14	350	297	487	570	34	285	480	255	92	490	415	3	445	-	16-M22(M22 x 55L)
16	400	322	524	607	34	285	480	255	102	560	475	3	510	-	16-M24(M24 x 60L)
18	450	354	559	642	33	285	480	255	114	620	530	3	565	-	20-M24(M24 x 60L)
20	500	389	615	731	45	320	480	325	127	675	585	3	620	-	20-M24(M24 x 60L)
22	550	428	645	761	50	320	480	325	170	745	640	3	680	-	20-M30(M30 x 65L)
24	600	456	695	811	84	360	480	400	154	795	690	3	730	-	24-M30(M30 x 65L)

\* Note : 1. Flange rating is maker standard, but other standards are available on request.  
2. Above Dimensions is subject to change without prior notice.