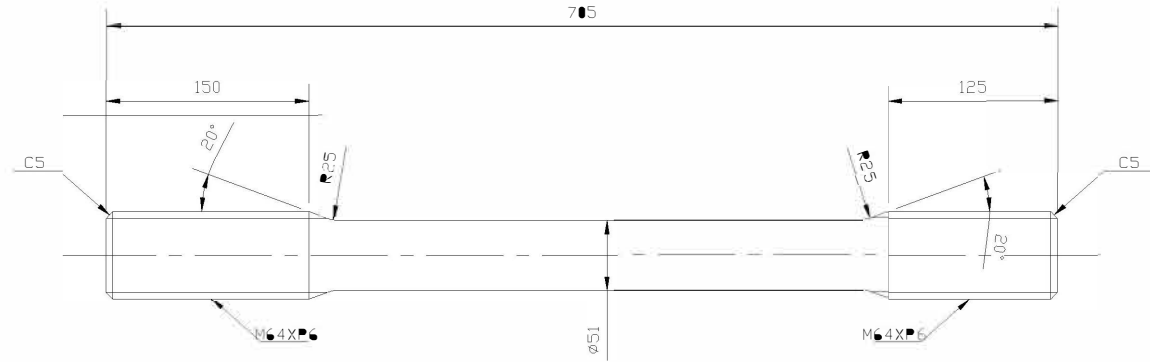


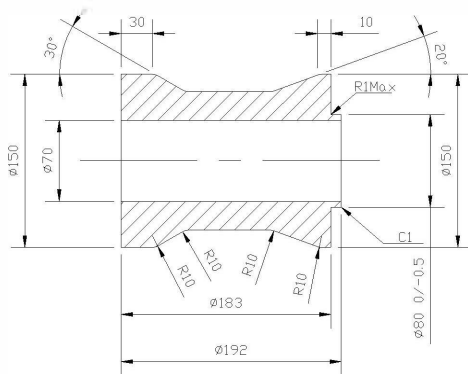
HOLD DOWN BOLTS

3-1

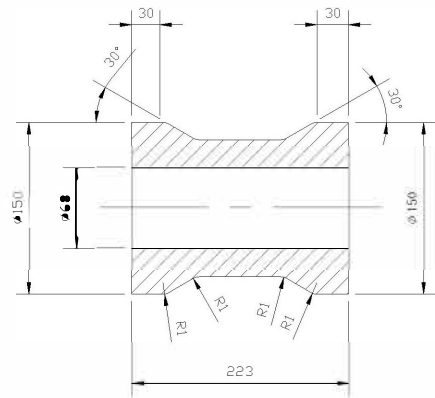
HOLDING DOWN BOLT



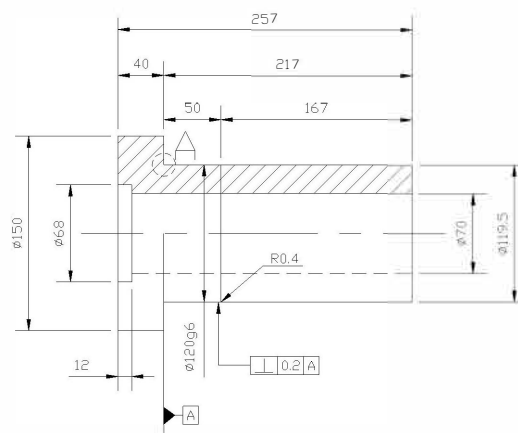
EXTENSION SLEEVE 1



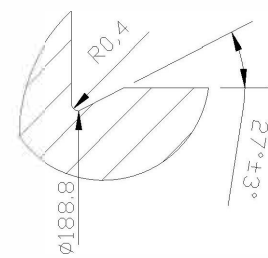
EXTENSION SLEEVE 2



THRUST SLEEVE



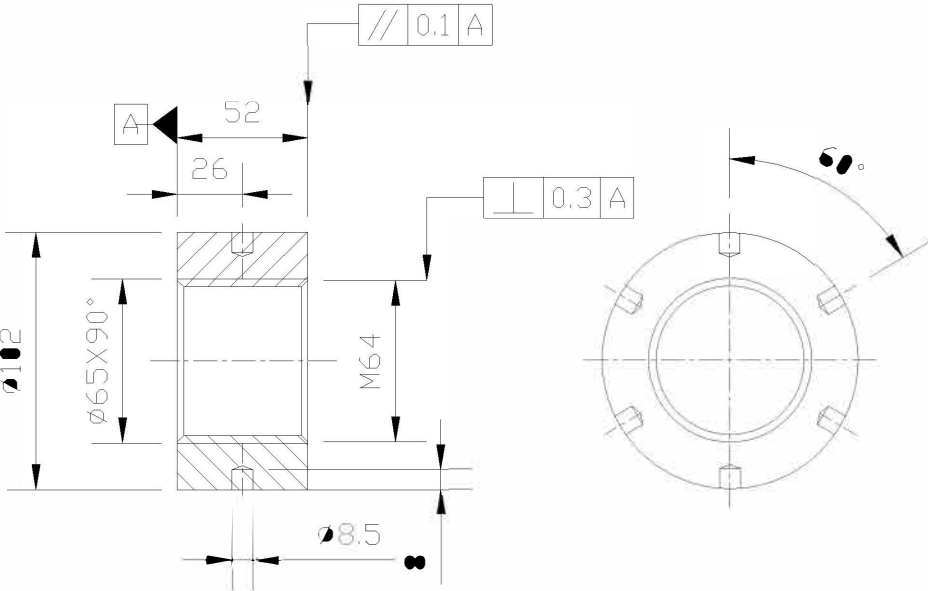
DET.A



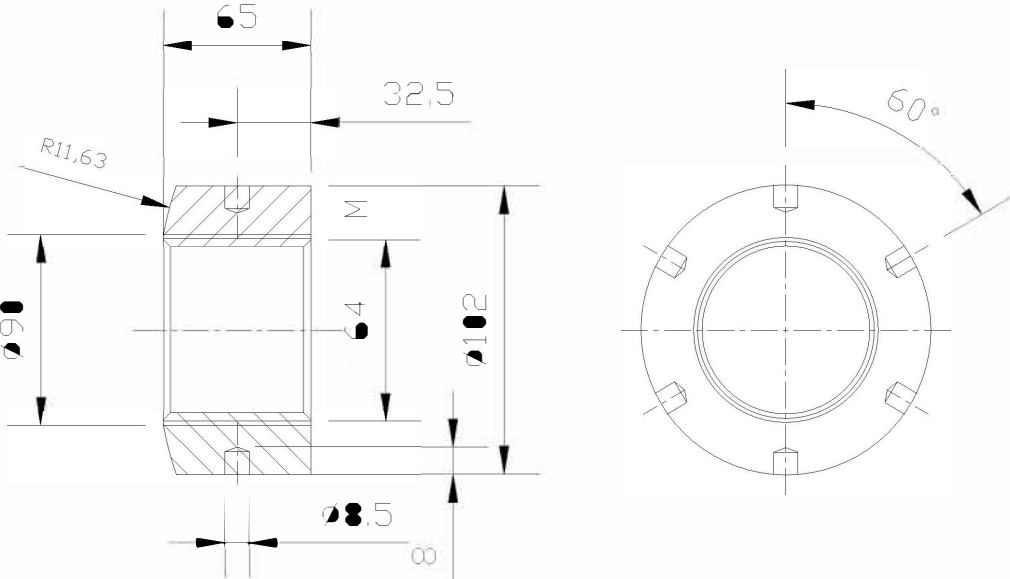
HOLD DOWN BOLTS

3-2

ROUND NUTN BOLT

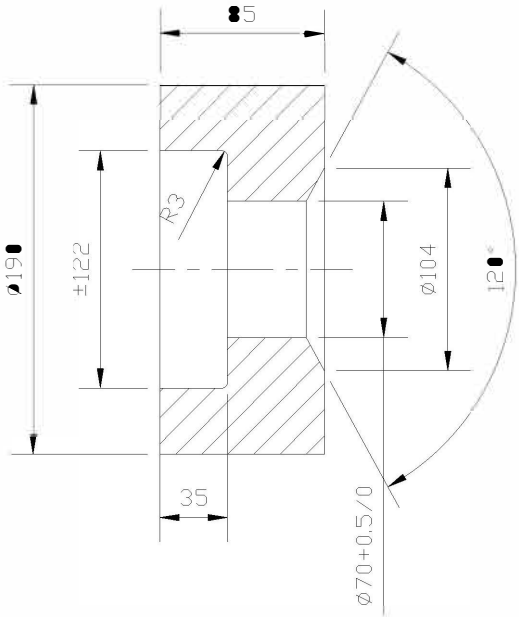


SPHERICAL ROUND NUT

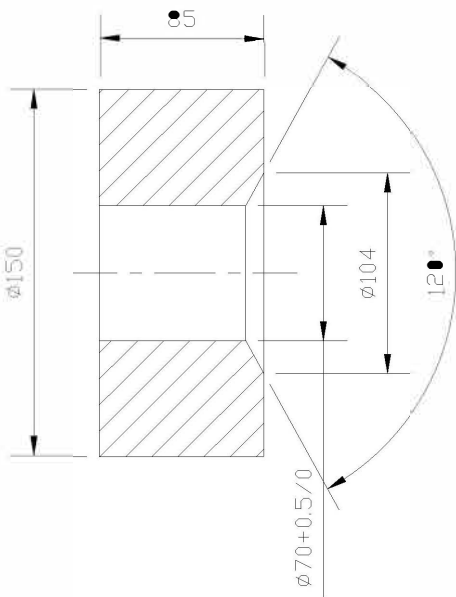


HOLD DOWN BOLTS

CONICAL WASHER 1



CONICAL WASHER 2



PROTECTING CAP

