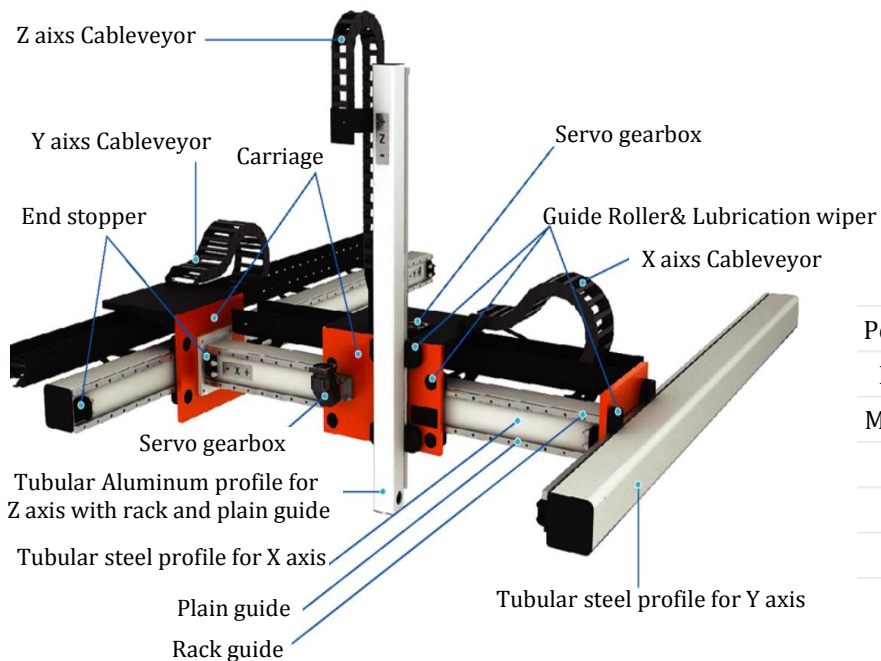


Linear module

CL

3 axis linear module-CL type



Dimensions and Specifications

		CL - 1			CL - 2			CL - 3		
		X axis	Z axis	Y axis	X axis	Z axis	Y axis	X axis	Z axis	Y axis
Permissible payload	kg	60	60	60	150	150	150	300	300	300
Nominal speed	m/s	2.6	2.0	2.0	3	2.0	2.0	3.3	2.0	2.0
Max. acceleration	m/s ²	3.5	6	2	3.5	5	1	4	3	1
Gearbox ratio	-	3:1	4:1	4:1	3:1	4:1	4:1	3:1	4:1	4:1
Motor speed	rpm	3000	3000	3000	3000	3000	3000	3000	3000	3000
Repeatability	mm	±0.05								



Payload range [kg]

Type	20	40	60	100	120	150	200	300	
CL-1	█								
CL-2	█								
CL-3	█								