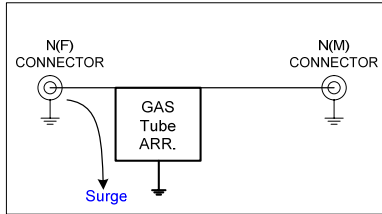
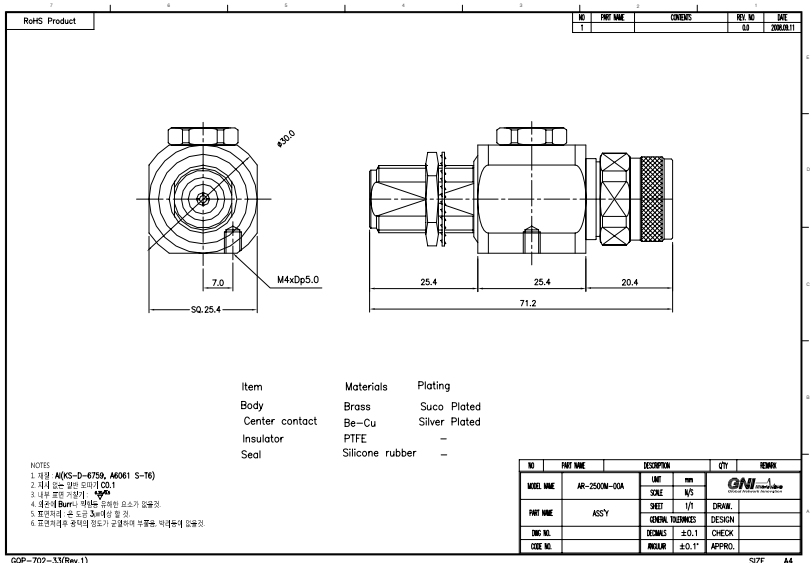


Item Name	ARRESTER
Model Name	AR-2500M-00A



Electrical Specification

Parameter	Specification	Typical
Frequency Range	DC~2500.0MHz	
Insertion Loss (Max.)	0.15dB	
VSWR	1 : 1.15	
Isolation (Min.)	20.0dB	
Impedance	50Ω	
Surge 규격	6KV/3KA(1.2 x 50μs / 8 x 20μs) Impulse	
Power Rating	200 Watts	
Operating Temperature	-30.0~+70.0	

Mechanical Specification

Dimensions (W×H×D mm)	71.2×25.4
Connector Type R.	ANT : N-Type(F).
	EQUIP : N-Type (M)