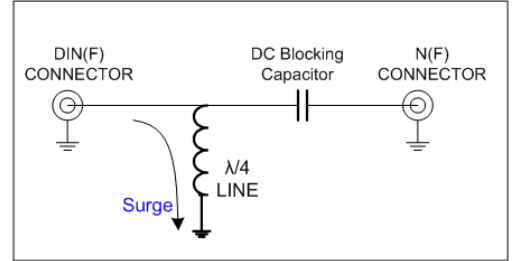
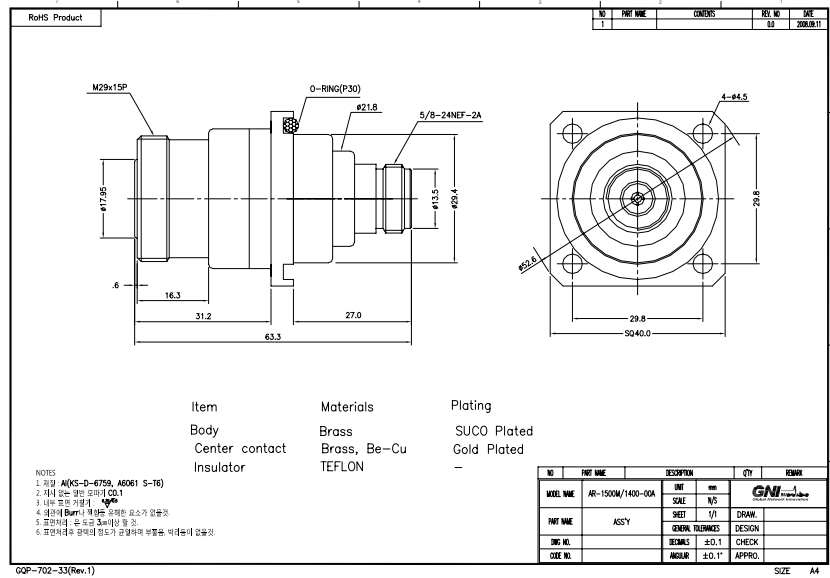


| | |
|------------|-------------------|
| Item Name | ARRESTER |
| Model Name | AR-1500M/1400-00A |



Electrical Specification

| Parameter | Specification | Typical |
|-----------------------|--|---------|
| Operating Frequency | 0.8~2.2 GHz | |
| Insertion Loss (Max.) | 0.2dB | 0.07dB |
| VSWR | 1 : 1.15 | 1.08 |
| Isolation (Min.) | 20.0dB | |
| Impedance | 50Ω | |
| Surge 규격 | 6KV/3KA(1.2 x 50μs / 8 x 20μs) Impulse | |
| Power Rating | 300 Watts | |
| Operating Temperature | -30.0~+70.0 | |

Mechanical Specification

| | |
|-----------------------|--------------------|
| Dimensions (W×H×D mm) | 40.0×63.3 |
| Connector Type R. | ANT : 7/16 DIN(F) |
| | EQUIP : N-Type (F) |