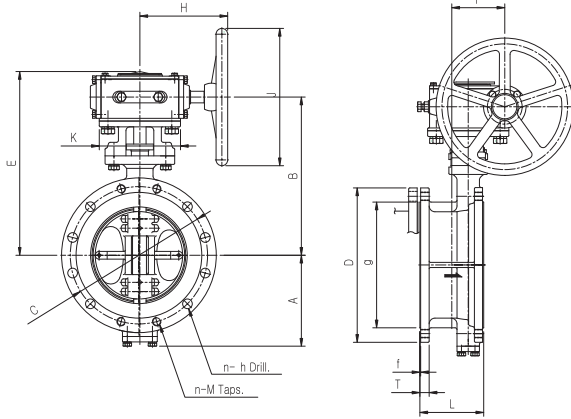


METAL SEAT BUTTERFLY VALVE

Fire Safety Valve

SPECIFICATION

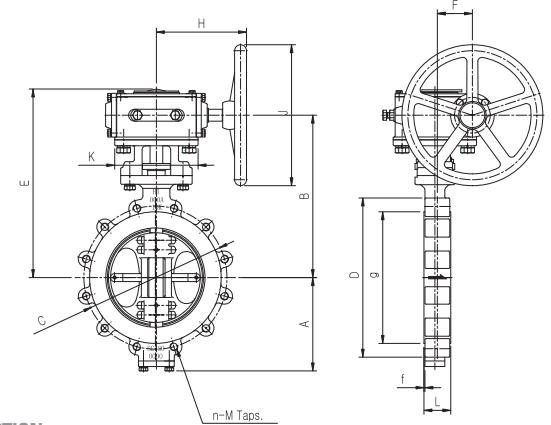
1. Design standard : JIS, ANSI, ISO, BS, API etc.
2. Design pressure : 5kg/cm², 10kg/cm², 16kg/cm², 20kg/cm²
3. Design temperature : - 40 °C ~ + 600 °C
4. Size : 80A ~ 1000A
5. Fluid : Steam, Oil, Sea Water, Gas, Chemical



BSM-F

OPERATION OPTION :

- Manual Type
- Hydraulic Actuator
- Electric Actuator
- Pneumatic Actuator



BSM-L

OPERATION OPTION :

- Manual Type
- Hydraulic Actuator
- Electric Actuator
- Pneumatic Actuator

OUTLINE DIMENSIONS TABLE (10K)

UNIT: mm

* Drill (bolt pitch shall be metric coarse thread)

| Size | General Dimension | | | | | | | | L | ø D | ø g | T-f | Applicable bolt type ø h : Hex.Bolt / M : Hex.Bolt | | |
|------|-------------------|-------|-----|-----|-------|-----|-----|-----|-----|-----|-----|------|---|--------------------|------------------|
| | inch | mm | A | B | E | F | H | ø J | | | | | K | ø C | n - ø h (bolt) |
| 3 | 80 | 109 | 256 | 309 | 94 | 180 | 200 | 150 | 114 | 185 | 130 | 18-2 | 150 | 4-ø19(M16 x 60L) | 4-M16(M16 x 40L) |
| 4 | 100 | 123 | 268 | 321 | 96.5 | 180 | 200 | 150 | 127 | 210 | 155 | 18-2 | 175 | 4-ø19(M16 x 65L) | 4-M16(M16 x 40L) |
| 5 | 125 | 146 | 293 | 346 | 101.5 | 180 | 250 | 150 | 140 | 250 | 185 | 20-2 | 210 | 4-ø23(M20 x 70L) | 4-M20(M20 x 45L) |
| 6 | 150 | 163 | 318 | 371 | 101.5 | 180 | 250 | 150 | 140 | 280 | 215 | 22-2 | 240 | 4-ø23(M20 x 75L) | 4-M20(M20 x 45L) |
| 8 | 200 | 192.5 | 379 | 434 | 118.5 | 190 | 300 | 175 | 152 | 330 | 265 | 22-2 | 290 | 8-ø23(M20 x 75L) | 4-M20(M20 x 45L) |
| 10 | 250 | 235 | 432 | 498 | 137 | 230 | 480 | 210 | 165 | 400 | 325 | 24-2 | 355 | 8-ø25(M22 x 80L) | 4-M22(M22 x 50L) |
| 12 | 300 | 261 | 457 | 523 | 139 | 230 | 480 | 210 | 178 | 445 | 370 | 24-3 | 400 | 12-ø25(M22 x 80L) | 4-M22(M22 x 50L) |
| 14 | 350 | 297 | 487 | 541 | 83 | 285 | 480 | 250 | 190 | 490 | 415 | 26-3 | 445 | 12-ø25(M22 x 85L) | 4-M22(M22 x 55L) |
| 16 | 400 | 322 | 524 | 579 | 87 | 285 | 480 | 250 | 216 | 560 | 475 | 28-3 | 510 | 12-ø27(M24 x 90L) | 4-M24(M24 x 60L) |
| 18 | 450 | 354 | 559 | 614 | 87 | 285 | 480 | 250 | 222 | 620 | 530 | 30-3 | 565 | 16-ø27(M24 x 95L) | 4-M24(M24 x 60L) |
| 20 | 500 | 389 | 615 | 671 | 96 | 320 | 480 | 325 | 229 | 675 | 585 | 30-3 | 620 | 16-ø27(M24 x 95L) | 4-M24(M24 x 60L) |
| 22 | 550 | 428 | 645 | 727 | 98.5 | 320 | 480 | 325 | 267 | 745 | 640 | 32-3 | 680 | 16-ø33(M30 x 105L) | 4-M30(M30 x 65L) |
| 24 | 600 | 456 | 695 | 766 | 140.5 | 320 | 480 | 400 | 267 | 795 | 690 | 32-3 | 730 | 20-ø33(M30 x 105L) | 4-M30(M30 x 65L) |

* Note : 1. Flange rating is maker standard, but other standards are available on request.
2. Above Dimensions is subject to change without prior notice.

OUTLINE DIMENSIONS TABLE (10K)

UNIT: mm

* Drill (bolt pitch shall be metric coarse thread)

| Size | General Dimension | | | | | | | | L | ø D | ø g | f | Applicable bolt type ø h : Hex.Bolt / M : Hex.Bolt | | |
|------|-------------------|-----|-----|-----|------|-----|-----|-----|-----|-----|-----|---|---|-----|-------------------|
| | inch | mm | A | B | E | F | H | ø J | | | | | K | ø C | n - ø h (bolt) |
| 3 | 80 | 109 | 256 | 311 | 61 | 180 | 200 | 150 | 48 | 185 | 130 | 2 | 150 | - | 8-M16(M16 x 40L) |
| 4 | 100 | 123 | 268 | 323 | 60 | 180 | 200 | 150 | 54 | 210 | 155 | 2 | 175 | - | 8-M16(M16 x 40L) |
| 5 | 125 | 146 | 293 | 348 | 60 | 180 | 250 | 150 | 57 | 250 | 185 | 2 | 210 | - | 8-M20(M20 x 45L) |
| 6 | 150 | 163 | 318 | 373 | 60 | 180 | 300 | 150 | 57 | 280 | 215 | 2 | 240 | - | 8-M20(M20 x 45L) |
| 8 | 200 | 193 | 379 | 436 | 74.5 | 190 | 400 | 175 | 64 | 330 | 265 | 2 | 290 | - | 12-M20(M20 x 45L) |
| 10 | 250 | 235 | 432 | 500 | 90 | 230 | 480 | 210 | 71 | 400 | 325 | 2 | 355 | - | 12-M22(M22 x 50L) |
| 12 | 300 | 261 | 457 | 525 | 90.5 | 230 | 480 | 210 | 81 | 445 | 370 | 3 | 400 | - | 16-M22(M22 x 50L) |
| 14 | 350 | 297 | 487 | 570 | 34 | 285 | 480 | 255 | 92 | 490 | 415 | 3 | 445 | - | 16-M22(M22 x 55L) |
| 16 | 400 | 322 | 524 | 607 | 34 | 285 | 480 | 255 | 102 | 560 | 475 | 3 | 510 | - | 16-M24(M24 x 60L) |
| 18 | 450 | 354 | 559 | 642 | 33 | 285 | 480 | 255 | 114 | 620 | 530 | 3 | 565 | - | 20-M24(M24 x 60L) |
| 20 | 500 | 389 | 615 | 731 | 45 | 320 | 480 | 325 | 127 | 675 | 585 | 3 | 620 | - | 20-M24(M24 x 60L) |
| 22 | 550 | 428 | 645 | 761 | 50 | 320 | 480 | 325 | 170 | 745 | 640 | 3 | 680 | - | 20-M30(M30 x 65L) |
| 24 | 600 | 456 | 695 | 811 | 84 | 360 | 480 | 400 | 154 | 795 | 690 | 3 | 730 | - | 24-M30(M30 x 65L) |

* Note : 1. Flange rating is maker standard, but other standards are available on request.
2. Above Dimensions is subject to change without prior notice.