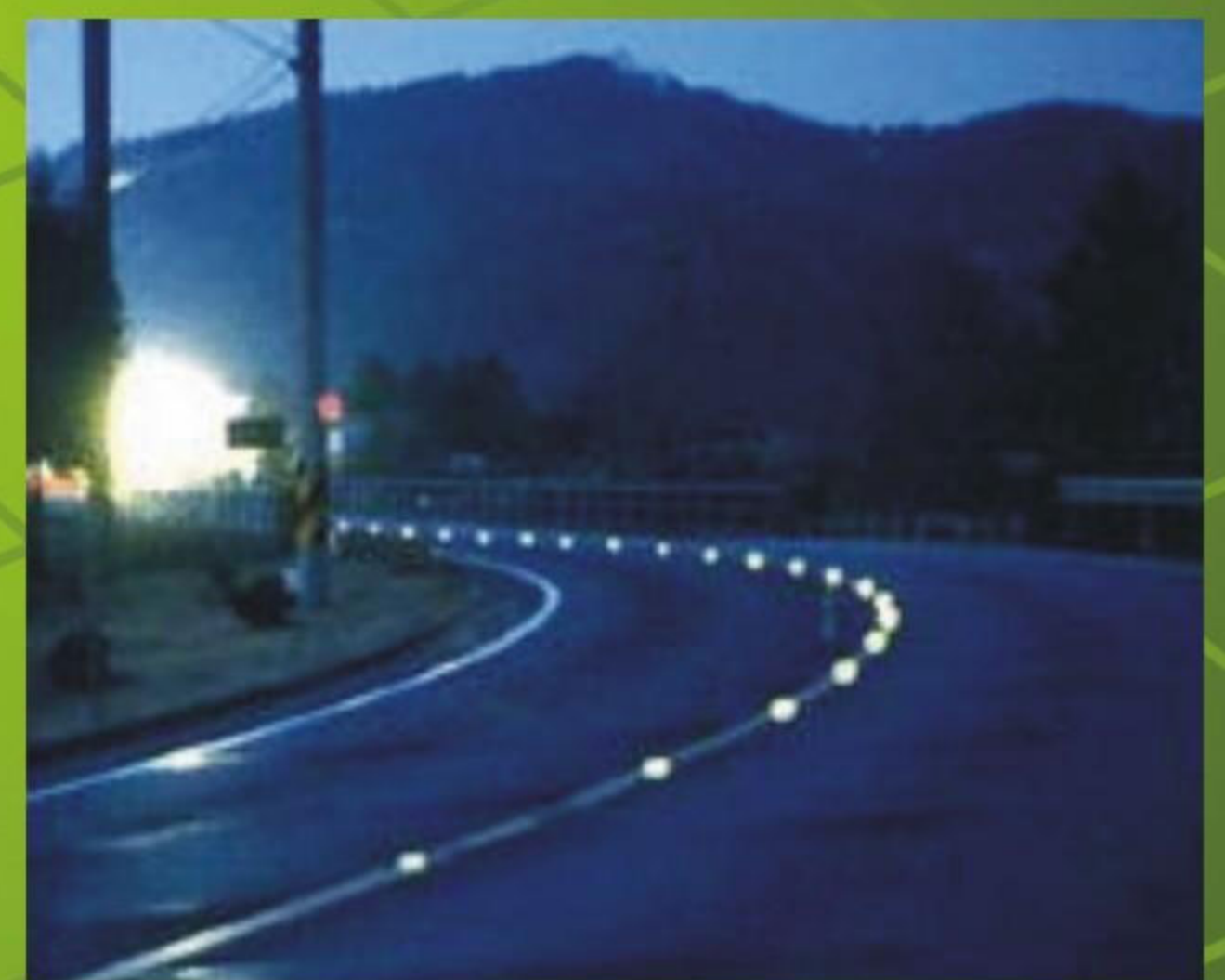


Solar LED Cat's eye

Model : Sol-Mark

Sun - Powered Products for Green Energy



LPR GLOBAL



LPR Global Inc.

www.uskoreahotlink.com

905-370-0500

info@lprglobal.com

Solar LED Cat's eye [Sol-Mark]

Special Features

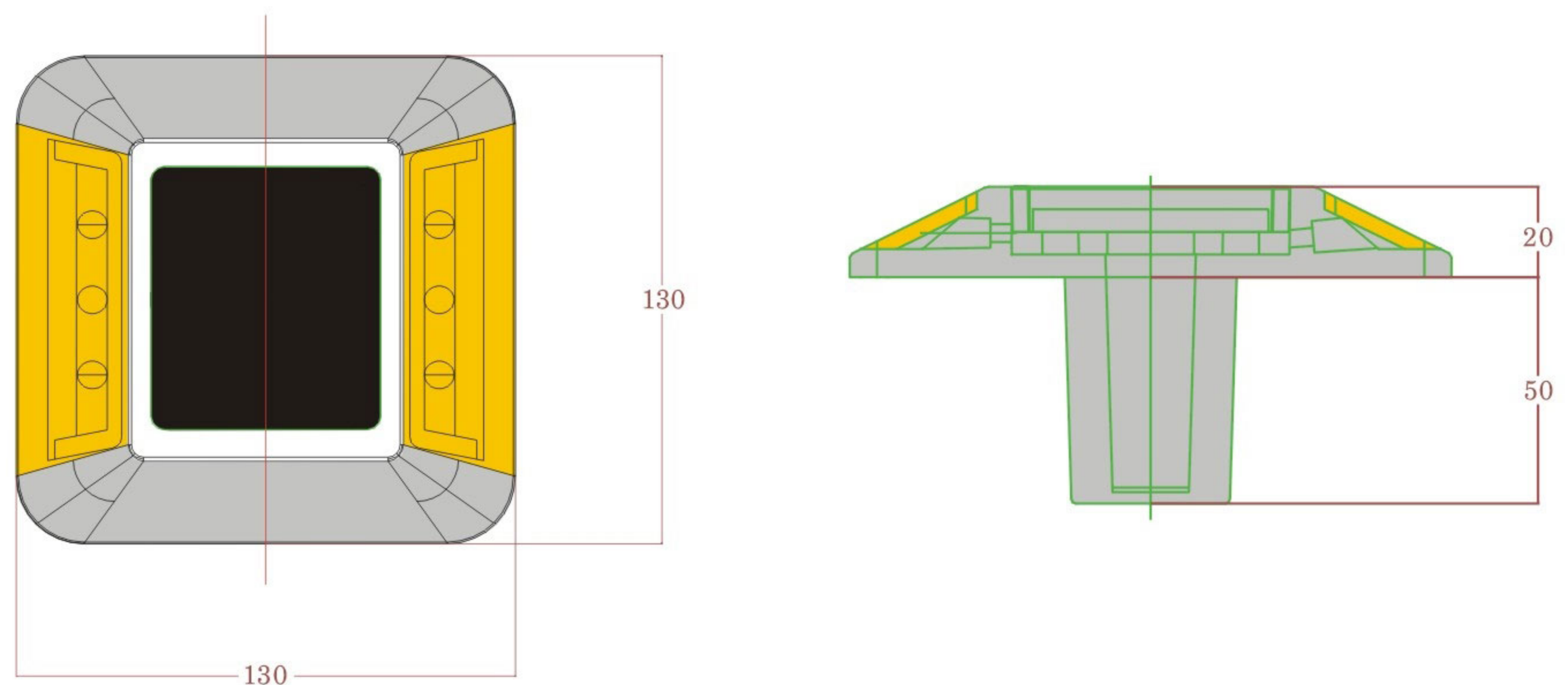
- ◆ Automatic On/Off by Solar batteries
- ◆ Constant or Flash Mode is available
- ◆ Special circuit technology applied: 100% lighting guaranteed all year around
- ◆ Ideal illumination angle for better distinction



Main Applications

Marking the central lane
Landscaping for school,
Apartments, park, etc.,
Cycle lane barriers,
Pedestrian Walkways,
Stairways,
Outdoor lighting, Pond,
Outdoor swimming pools

Product Dimension



Installation guide



Make a hole in the point
with the hole cutter or
hammer drill as the size
of marker

Fill a certain amount
of epoxy into the hole.

Insert the marker into
the hole and push down
with some force for full
attachment.

LPR GLOBAL



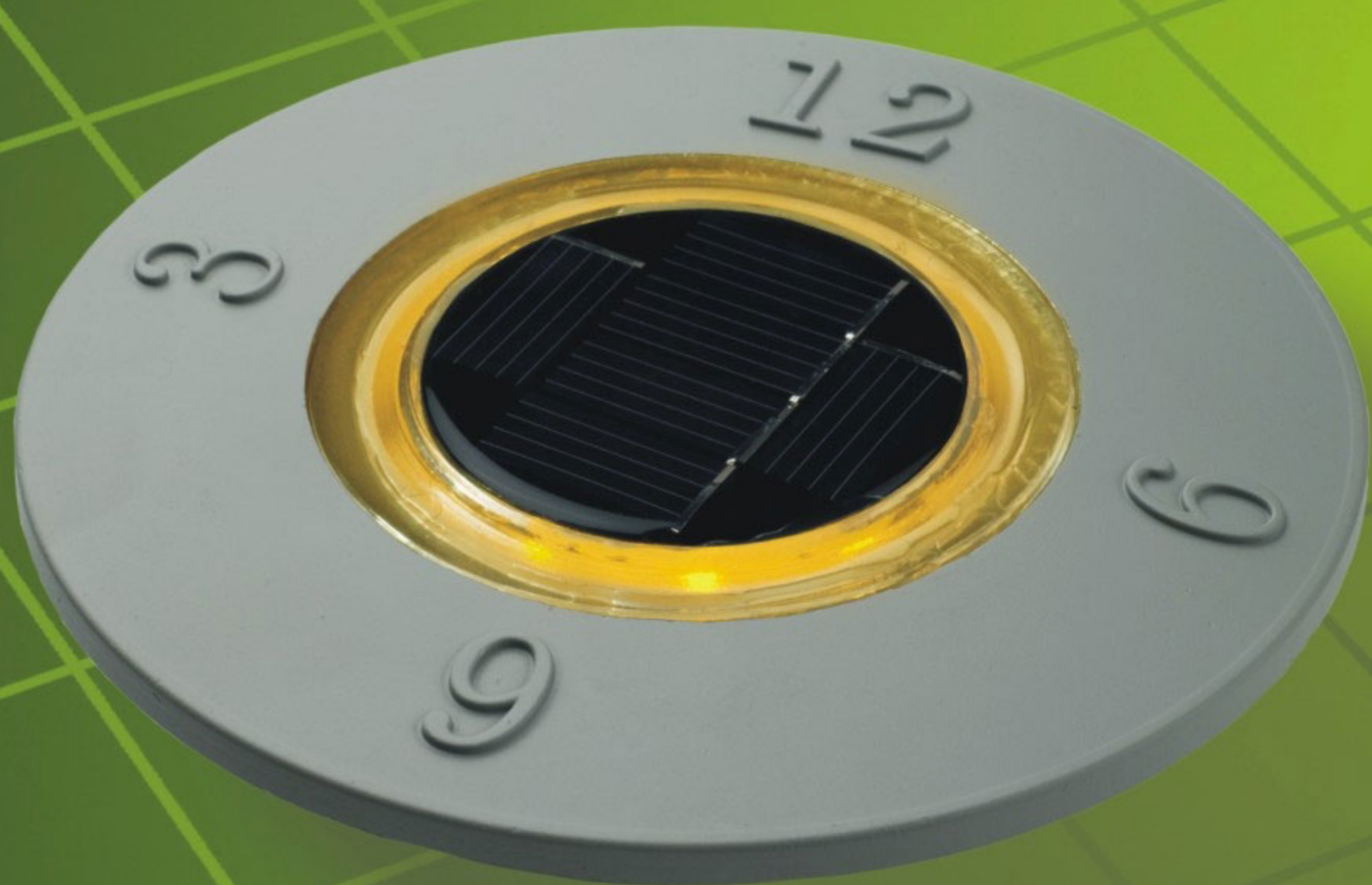
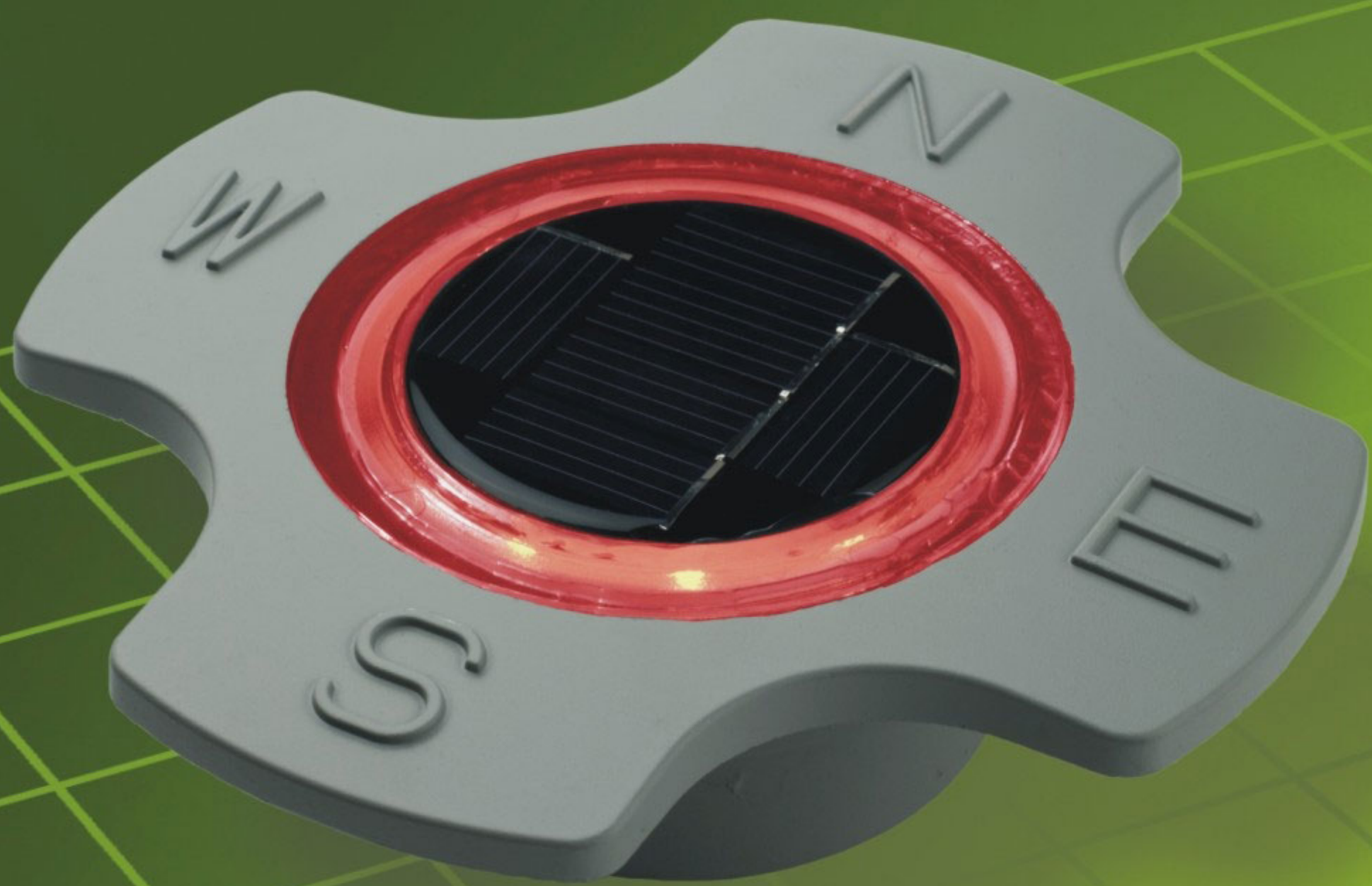
LPR Global Inc.

www.uskoreahotlink.com
905-370-0500
info@lprglobal.com

Solar LED Landscape Light

Model : Sol-Deco

Sun - Powered Products for Green Energy



LPR GLOBAL

**US KOREA
HOTLINK**
BY LPR GLOBAL INC.

LPR Global Inc.

www.uskoreahotlink.com
905-370-0500
info@lprglobal.com

